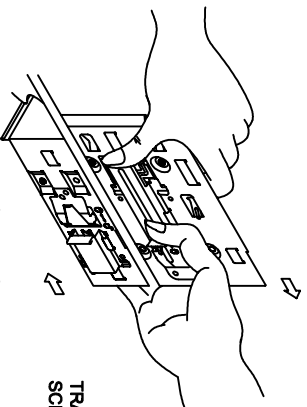


## CD-ROM Installation

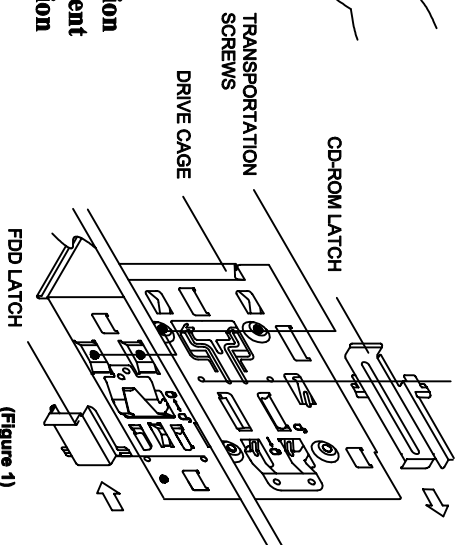
1. Place the CD-ROM into the CD-ROM bay; push the "Latch" forward in the direction of the Arrow (Figure 1 & 3).
  2. When the "e" position of the latch is aligned over the "Right Side" of the protruding Dot "d" on the Drive Cage, the CD-ROM is clip-locked into position.
- To remove the CD-ROM, push the Latch in the Reverse direction (Figure 2). When the "a" position of the latch is aligned with the "b" position on the Drive Cage, slide out the CD-ROM.

## FDD Installation

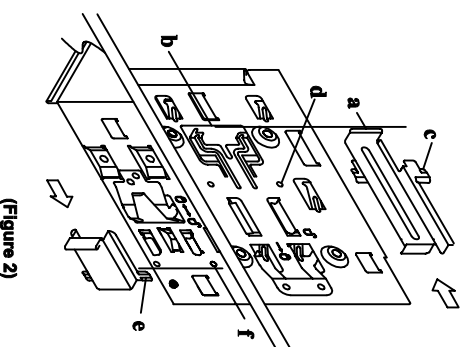
1. Place the FDD into the FDD bay; push the "Latch" backward in the direction of the Arrow (Figure 1 & 3).
  2. When the "e" position of the latch is aligned over the "Left Side" of the protruding Dot "f" on the Drive Cage, the FDD is clip-locked into position.
- To remove the FDD, push the latch in the "Reverse direction" (Figure 2). When the "e" position of the latch is aligned with the "Right Side" of the "f" position on the Drive Cage, slide out the FDD.



(Figure 3)



(Figure 1)



(Figure 2)

## WARNING!

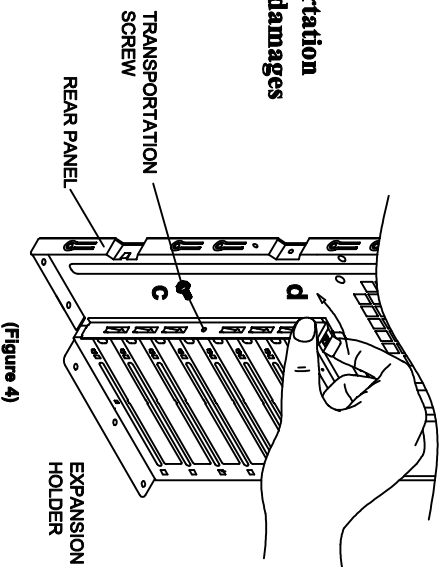
It is recommended to add Transportation Screw (1 screw per each Drive) to prevent damages under hazardous transportation (Figure 1).

## Expansion Slots "Holder"

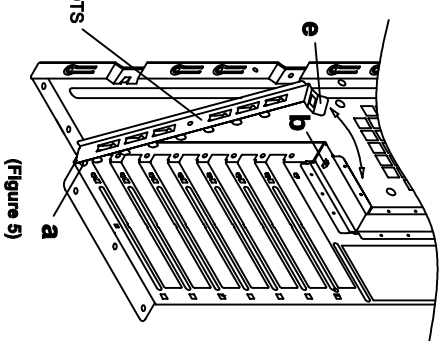
1. To remove the Expansion Slots "Holder", ease back the Holder from the rear panel by pressing down "d" with thumb and then lifting up "e" with index finger from the protruding Stopper "b" on the rear panel. Pull out the Holder (Figure 4&5).
2. To secure the Holder, place the lower-end of the Holder into the "a" position on the rear panel (Figure 5) and gently press back the Holder onto the "b" Stopper.

## WARNING!

It is recommended to add Transportation Screw at "c" (Figure 4) to prevent damages under hazardous transportation.



(Figure 4)

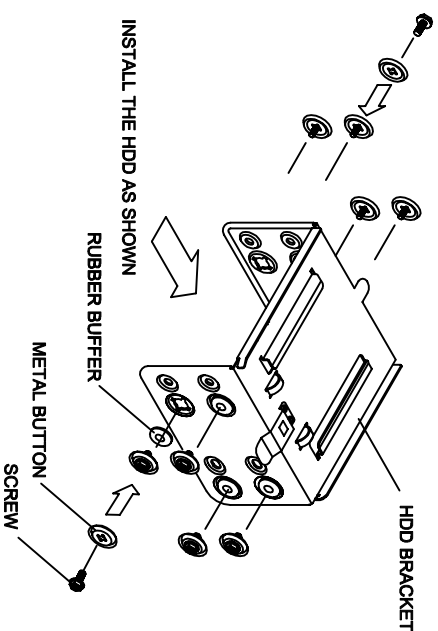


(Figure 5)

## (Optional)

### Shock-proof HDD Bracket

1. Position the HDD inside the HDD Bracket.
2. Insert the black color "Rubber Buffers" onto the indicated positions onto the Drive Cage.
3. Insert the "Screws" into the "Metal Buttons" (With the "Protruding Side" of the Metal Buttons facing outwards).
4. Screw onto the Drive Cage.



## (Optional)

### Card Retention Bar

1. To adjust the "Card-Holders", loosen the rows of "a" screws by 2-Turns, sliding the "a" screws along the slots on the Retention Bar will enable the Card-Holders to become adjustable.
2. Adjust the Card-Holders' groove onto the "Add-on Cards" (Both ISA & PCI grooves are on the Card-Holders), tighten the "a" screws to hold down the cards.

The "Retention Bar" is secured by 3 screws and can be easily removed from the Chassis' by removing the screws.

