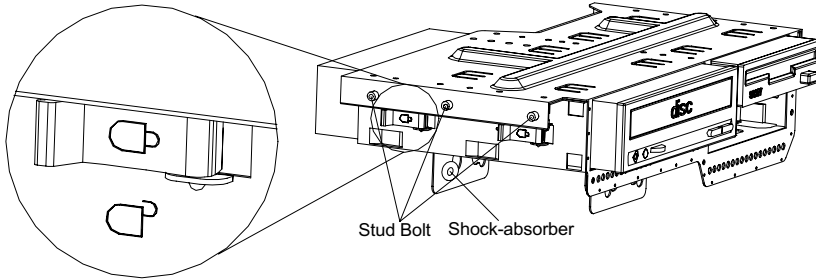


Installation Guide of ECE1290 Chassis

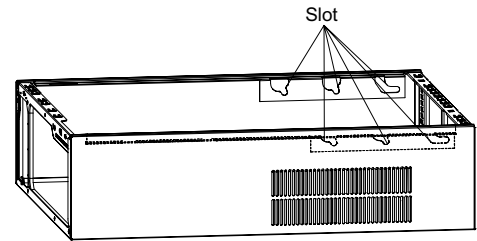
I/G : ECE1290

The structure of ECE1290 chassis is designed with 2 separable housings –

1. Drive Cage – Housing for CD ROM/FDD/HDD (Illustration 1)
2. Main Frame – Housing for Motherboard and other peripherals (Illustration 2)



(Illustration 1)



(Illustration 2)

The 'Drive Cage' is integrated within the 'Main Frame' by –

6 units of small cylindrical 'Stud Bolts' (Illustration 1).

Each 'Stud Bolt', 3 on each side of the 'Drive Cage', seats and secures into -

6 corresponding 'Slots', 3 on each side, grooved on both sides of the 'Main Frame' (Illustration 2).

To take out the 'Drive Cage' from the 'Chassis Frame',

Lift up the rear side of the 'Drive Cage' to an angle of 45° and

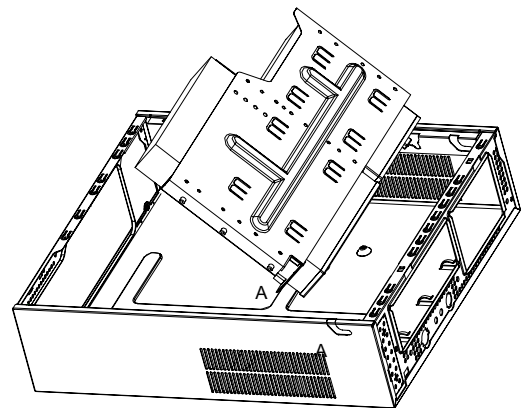
Pull out the 'Drive Cage' from the 'Chassis Frame' (Illustration 3).

Separated housings of 'Drive Cage' & 'Main Frame' enables opened space and flexible installation of Motherboard, CD ROM, FDD, HDD or other peripherals.

Drive Bays of 'Drive Cage' are provided with

'Flip-over and lock-down clips' for quick installation (Illustration 1),

Rubber cushion shock absorbers/metal buttons for vibrations and EMI control (Illustration 1).



(Illustration 3)

To seat back the 'Drive Cage' within the 'Main Frame' –

After all the peripherals are installed, hold the 'Drive Cage' at an angle of 45° , align and seat back the front 'Stud Bolt (A)' into 'Slot (A)' on the 'Chassis Frame' (Illustration 3).

Gently seats back the rear 'Stud Bolts' into its corresponding 'Slots' making sure that –

The Front I/O cables are free and not pressed by edges of the 'Drive Cage'.

All rights reserved

No part of this document may be reproduced, transmitted, transcribed, stored in a retrieval system or translated into any language or computer language, in any forms or by any means, electronic, mechanical, magnetic, optical, chemical, manual or otherwise, without the prior written permission of Ever Case.

Ever Case reserves all rights to update, revise and to make any necessary changes in the contents hereof without any obligation on prior notification to any entity.

Disclaimer :

Ever Case makes no representations or guarantees, either expressed or implied, with respect to the contents hereof and specifically disclaims any warranties on accuracy, that might either be mechanical, merchantability or fitness for any particular purpose.

ECE1290 Fan Duct Assembly Guide

IG : FD-1290

Made of high heat-resistant & flame retardant UL 94-V0 polypropylene sheet,
the 'Fan Duct' consists of 3 Parts –

1. Formation Sheet.
2. Air Guide.
3. Flank Cover.

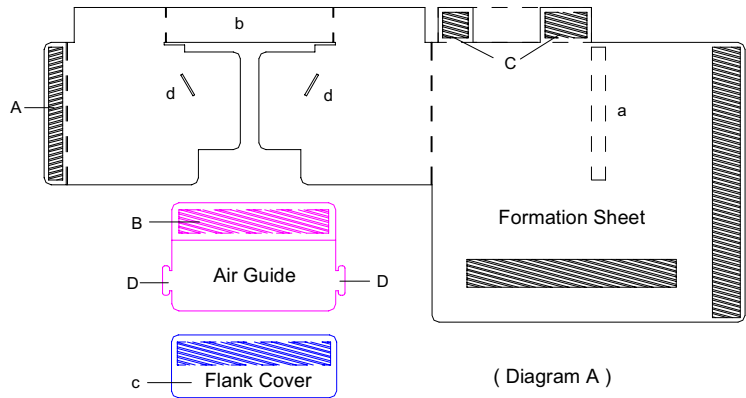


Diagram A

Shaded areas are adhesive areas

Dotted lines are folding lines.

Boxed dotted areas are attachment areas.

Diagram B

1. Fold over on dotted lines of 'Formation Sheet' and attach 'A' to 'a' to form a square duct.
2. Attach the 'Air Guide' to the 'Formation Sheet' at 'B' to 'b'.
Insert holders of 'Air Guide' into the slots of 'Formation Sheet' at 'D' to 'd'.
3. Attach the 'Flank Cover' to the 'Formation Sheet' at 'C' to 'c'.

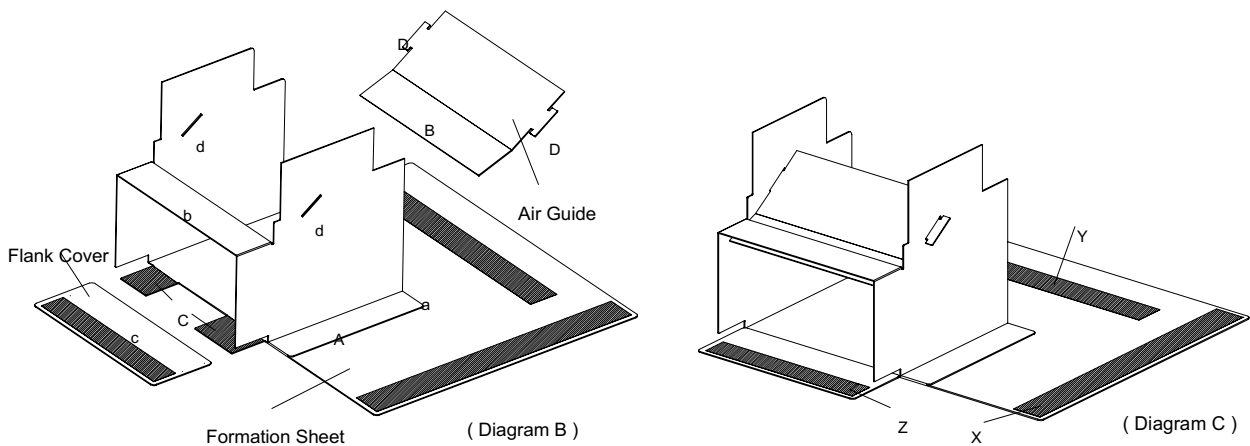


Diagram C

After the 'Fan Duct' is formed, turn over and attach –

Shaded area 'X' to the Power Supply cover.

Shaded area 'Y' to the Heat Sink.

Shaded area 'Z' to rear chassis edge.