

2.5"
USB 2.0 / FireWire / Combo
External Enclosure

User Manual & Installation Guide

Tabele of Contents

1. Introduction

1.1 Features	1
1.2 Specifications	2
1.3 System Requirements	3
1.4 Package Contents	3

2. Installation

2.1 Installing the Hard Disk Drive	4
2.2 Installing the Driver	9

3. Operation

3.1 Device Controls	11
3.2 LED Indicators	15
3.3 Connecting to a PC with a FireWire Cable	16
3.4 Connecting to a PC with an USB Cable	17
3.5 One-Touch Backing Up Files	17

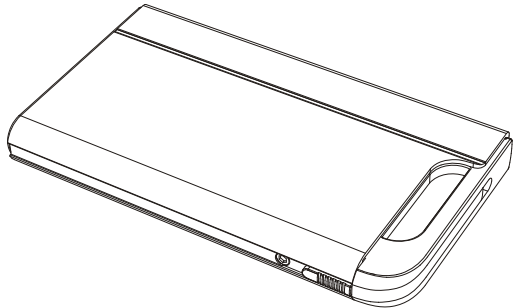
4. Important Notices

18

1. Introduction

1.1 Features

- Supporting 2.5" IDE hard disk drives
- Silent operation with aluminum housing
- Interface(s): USB 2.0 or 1394 or USB 2.0 + 1394
- Maximum transfer rate up to 480 Mbits/s (USB 2.0) or 400 Mbits/s (1394a)
- Plug and play; hot-swappable connection
- Easy One-Touch backup to copy/save files (for USB model only)



1.2 Specifications

- Interface(s): USB 2.0 or 1394a or USB 2.0 + 1394a
- Maximum transfer rate: 480 Mbits/s (USB 2.0) or 400 Mbits/s (1394a)
- Platforms: Windows XP/2000/Me/98SE/ Mac OS X or above
- Display: LED display (power, HDD access)
- Power Supply: External 5V/1.5A AC adapter (optional)
- Case material: Aluminum
- Dimensions: 5.9" (L) x 3.3" (W) x 0.7" (H)
149 mm (L) x 83.5 mm (W) x 17.5 mm (H)

1.3 System Requirements

- USB 1.1 equipped PC; Win98SE, WinME, Win2000, WinXP
- USB 2.0 equipped PC; Win98SE, WinME, Win2000, WinXP
- USB 1.1 equipped Mac; Mac OS 9.0 or above
- USB 2.0 equipped Mac; Mac OS 9.0 or above

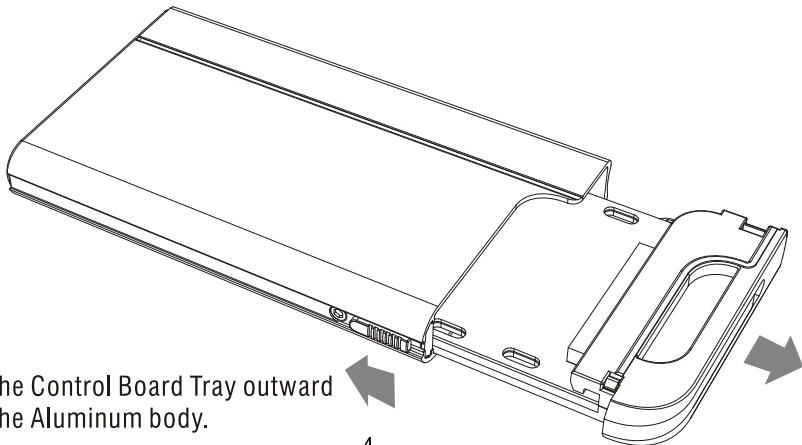
1.4 Package Contents

- External Enclosure
- Driver CD
- USB Cable; USB 2.0 A Male to Mini B 5 pin (USB and Combo Models only)
- FireWire Cable; 6-pin to 6-pin (FireWire and Combo Models only)
and 6-pin to 4-pin (optional for FireWire and Combo Models)
- Carry Bag
- Screw Package
- Power Adaptor; 5V/1.5A (optional for FireWire and Combo Models)

2. Installation

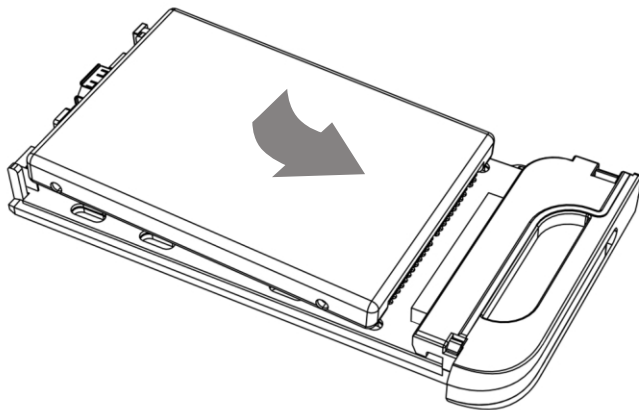
2.1 Installing the Hard Disk Drive

1. Push the latch on the left hand side backward and hold it. (Do not remove the Hex screw next to the latch.)

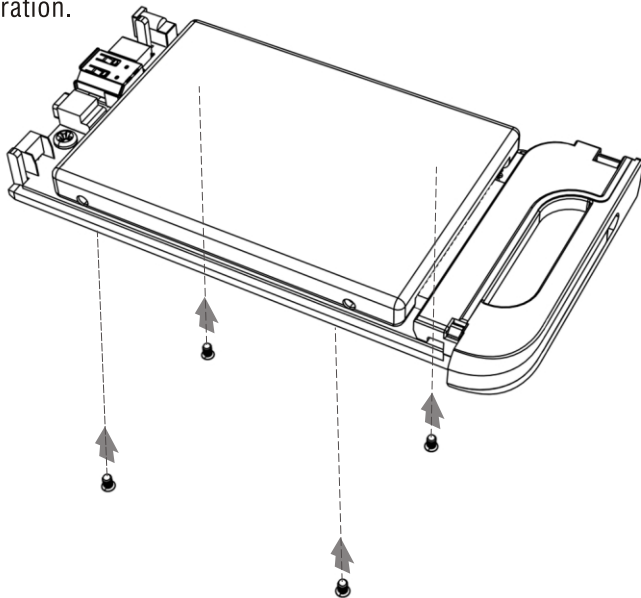


2. Draw the Control Board Tray outward from the Aluminum body.

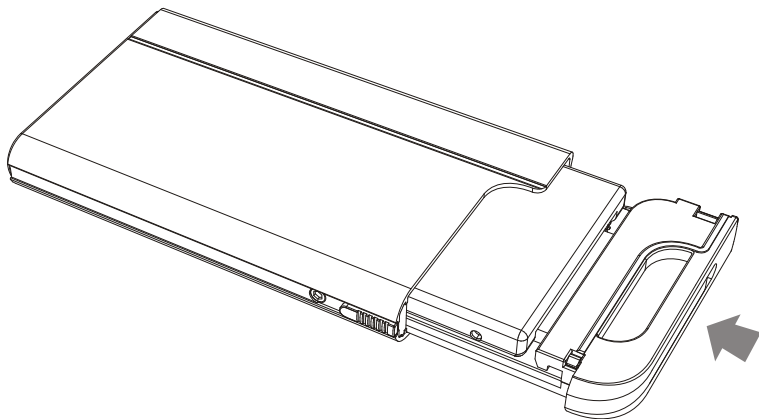
3. Install a 2.5" hard disk drive to the IDE connector on the Control Board.



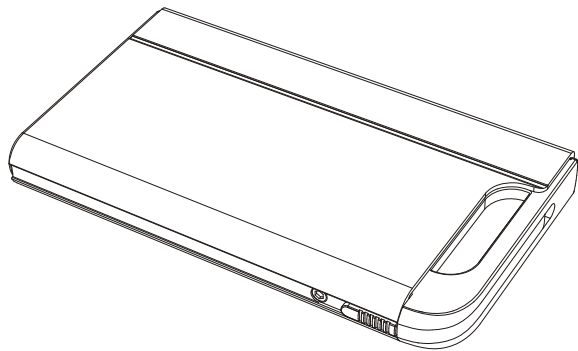
4. Secure the hard disk drive with the four screws found in the screw bag as shown in the illustration.



5. Slide the Control Board Tray back into the Aluminum body.



6. The installation is completed.



2.2 Installing the Driver (USB and Combo Models only)

- Windows 98SE

1. Insert the driver CD into your CD-ROM. Run **Setup.exe** from the root directory of the CD.
2. Follow the on-screen instructions to copy the necessary files to your computer.
3. When Setup has finished installing all the files to your computer, it prompts you to restart your computer. Click **OK**.
4. Connect the enclosure and turn it on.
5. Open "My Computer" to see the enclosure.

- Windows ME/2000/XP

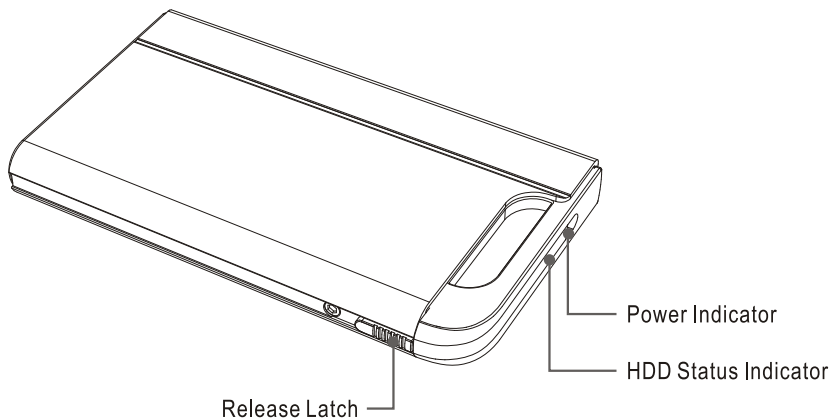
No drivers are required.

- Mac OS 9.0 or above

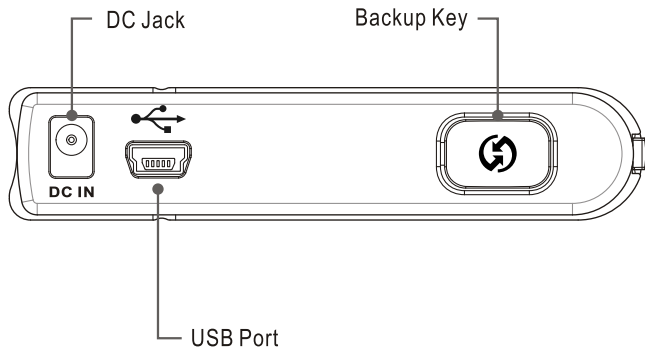
No drivers are required.

3. Operation

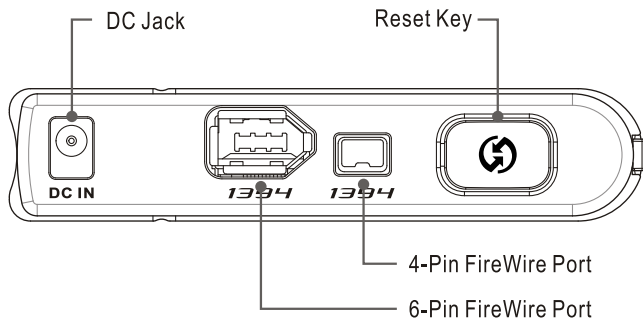
3.1 Device Controls



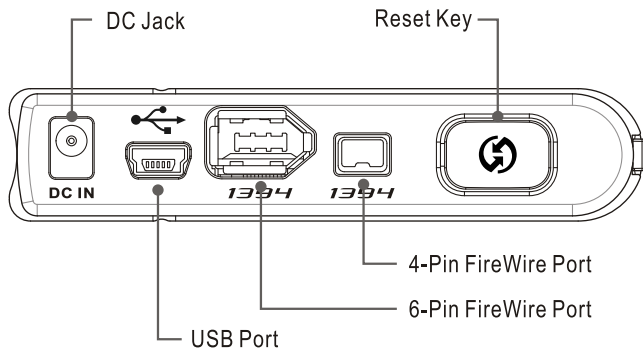
3.1 Device Controls (USB Model)



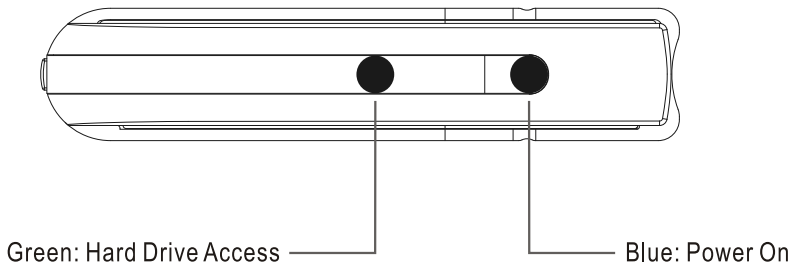
3.1 Device Controls (FireWire Model)



3.1 Device Controls (USB + FireWire Combo Model)



3.2 LED Indications



3.3 Connecting to a PC with a FireWire Cable (FireWire and Combo Models)

1. Turn on the computer and start Windows.
2. Plug either end of the 6-pin to 6-pin FireWire cable found in the package to the FireWire port of the enclosure.
3. Plug the other end of the FireWire cable to the FireWire port of the computer.
4. Open "My Computer" to see the enclosure.
5. The optional AC adaptor is required, if a 4-pin to 4-pin or 6-pin to 4-pin FireWire cable is used.

Plug the 4-pin to 4-pin or 6-pin to 4-pin FireWire cable the computer before plugging the AC adaptor.

If the AC adaptor is plugged first, press the reset button to reconnect.

3.4 Connecting to a PC with an USB Cable (USB and Combo Models)

1. Turn on the computer and start Windows.
2. Plug the Mini USB B connector (the smaller one) of the USB cable found in the package to the USB port of the enclosure.
3. Plug the USB A connector (the bigger one) to the USB port of the computer.
4. Open "My Computer" to see the enclosure.

3.5 One-Touch Backing Up Files (USB Model only, not including FireWire Model and "USB + FireWire Combo" Model)

Please refer the special instruction sheet, which can be found only in the package of the models with this function .

4. Important Notices

1. Do NOT operate this product if your hands are wet.
2. We recommend you to discharge static electricity by touching a metal object before operating this product.
3. To prevent data loss, do NOT disconnect power or restart this product when performing backup.
4. To prevent data loss, Do NOT shake this product when performing backup.

