

2.5"  
eSATA + USB 2.0  
External Enclosure

User Manual & Installation Guide



# ***Tabele of Contents***

## **1. Introduction**

1.1 Features	1
1.2 Specifications	2
1.3 System Requirements	3
1.4 Package Contents	3

## **2. Installation**

2.1 Installing the Hard Disk Drive	4
2.2 Installing the Driver	9

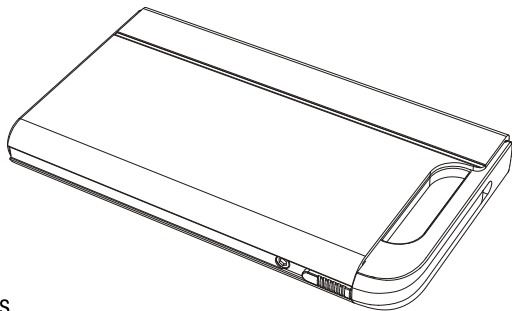
## **3. Operation**

3.1 Device Controls	11
3.2 LED Indicators	13
3.3 Connecting to a PC with an eSATA Cable	14
3.4 Connecting to a PC with an USB Cable	15
3.5 One-Touch Backing Up Files	15

<b>4. Important Notices</b>	<b>16</b>
-----------------------------	-----------

# ***1. Introduction***

## ***1.1 Features***



- Supporting 2.5" SATA hard disk drives
- Silent operation with aluminum housing
- Dual interface: eSATA and USB 2.0
- Maximum transfer rate up to 3Gbits/s (eSATA) or 480 Mbits/s (USB 2.0)
- Plug and play; hot-swappable connection
- Easy One-Touch backup to copy/save files (for USB interface only)

## *1.2 Specifications*

- Interfaces: SATA HDD to eSATA + USB 2.0
- Maximum transfer rate: 3Gbits/s (eSATA) or 480 Mbits/s (USB 2.0)
- Chipset: J Micron JM20336
- Platforms: Windows XP/2000/Me/98SE/ Mac OS X or above
- Display: LED display (power, HDD access)
- Case material: Aluminum
- Dimensions: 5.9" (L) x 3.3" (W) x 0.7" (H)  
149 mm (L) x 83.5 mm (W) x 17.5 mm (H)

### *1.3 System Requirements*

- USB 1.1 equipped PC; Win98SE, WinME, Win2000, WinXP
- USB 2.0 equipped PC; Win98SE, WinME, Win2000, WinXP
- USB 1.1 equipped Mac; Mac OS 9.0 or above
- USB 2.0 equipped Mac; Mac OS 9.0 or above

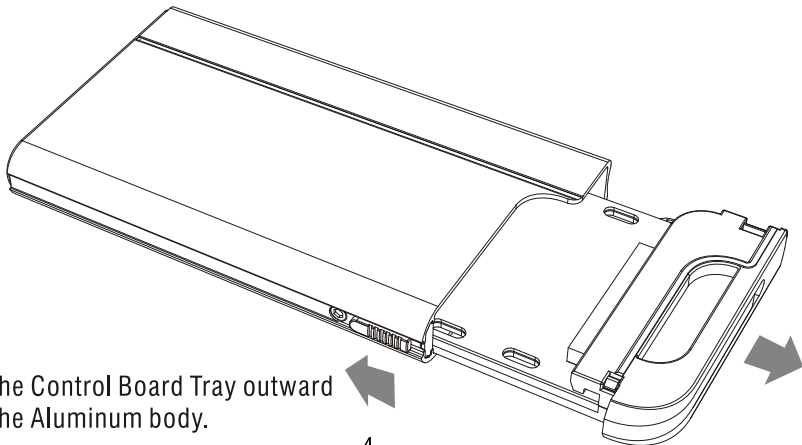
### *1.4 Package Contents*

- External Enclosure
- eSATA to eSATA Cable
- USB 2.0 Cable (eSATA + USB 2.0 model only)
- USB 2.0 driver CD for Windows 98 SE
- User manual & Installation Guide
- Screw Package
- Power Adaptor (Optional); 1.5A/5V

## ***2. Installation***

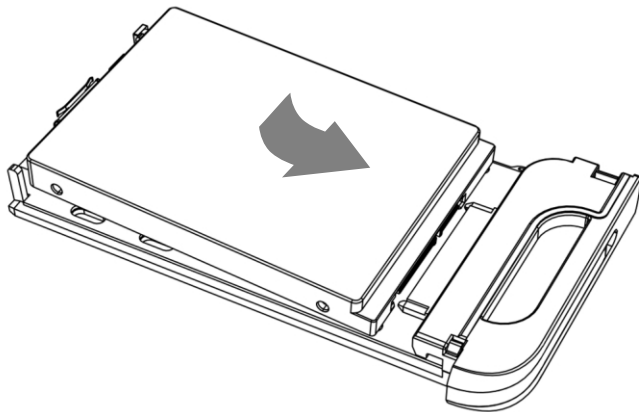
### *2.1 Installing the Hard Disk Drive*

1. Push the latch on the left hand side backward and hold it. (Do not remove the Hex screw next to the latch.)

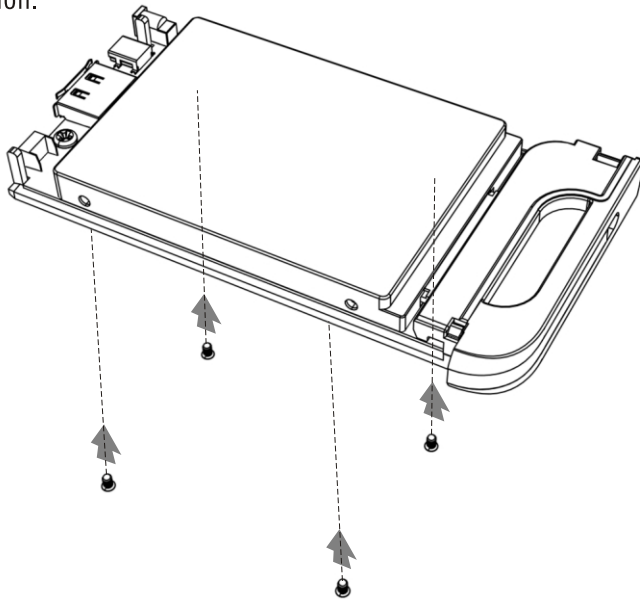


2. Draw the Control Board Tray outward from the Aluminum body.

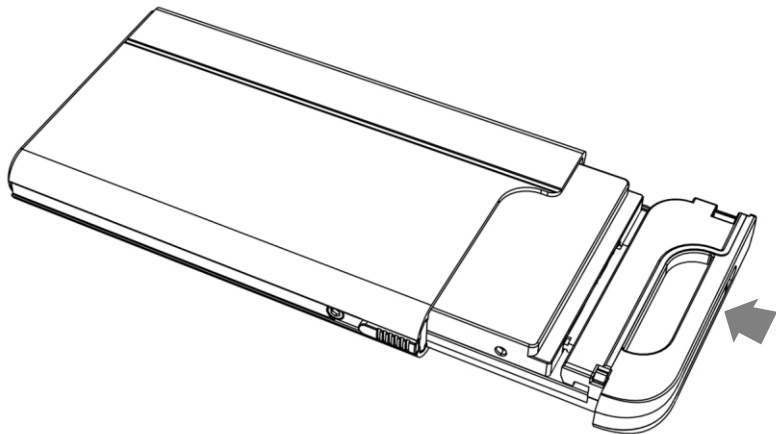
3. Install a 2.5" hard disk drive to the SATA connector on the Control Board.



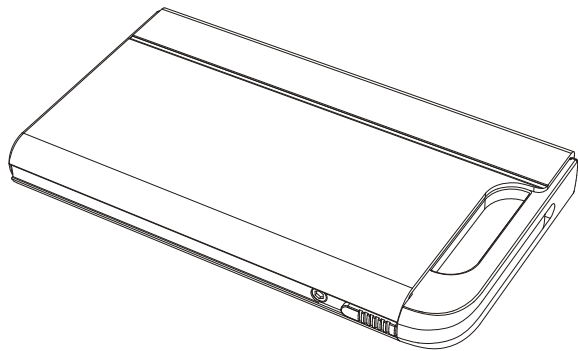
4. Secure the hard disk drive with the four screws found in the screw bag as shown in the illustration.



5. Slide the Control Board Tray back into the Aluminum body.



6. The installation is completed.



## *2.2 Installing the Driver*

- Windows 98SE

1. Insert the driver CD into your CD-ROM. Run **Setup.exe** from the root directory of the CD.
2. Follow the on-screen instructions to copy the necessary files to your computer.
3. When Setup has finished installing **all** the files to your computer, it prompts you to restart your computer. Click **OK**.
4. Connect the enclosure and turn it on.
5. Open "My Computer" to see the enclosure.

- Windows ME/2000/XP

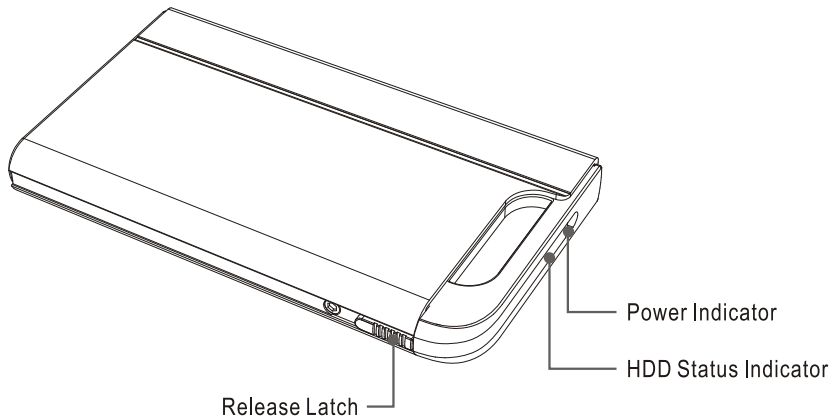
No drivers are required.

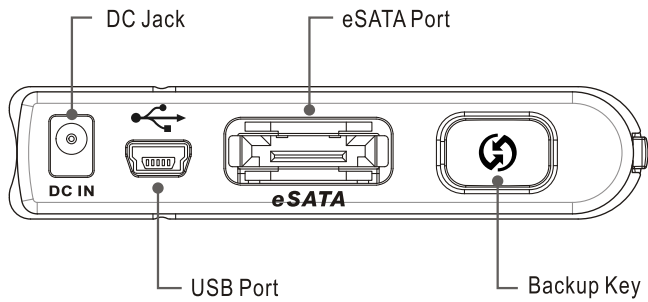
- Mac OS 9.0 or above

No drivers are required.

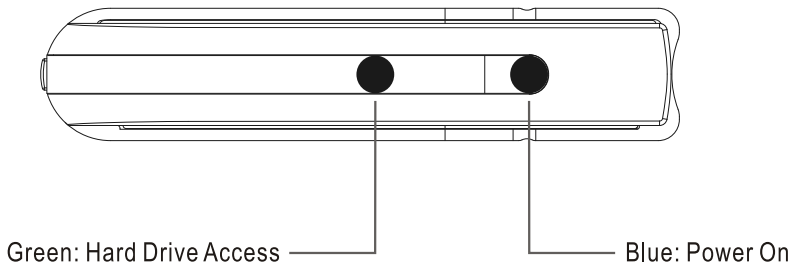
## **3. Operation**

### *3.1 Device Controls*





### 3.2 LED Indications



### *3.3 Connecting to a PC with an eSATA Cable*

1. Turn on the computer and start Windows.
2. Plug either end of the eSATA cable found in the package to the eSATA port of the enclosure.
3. Plug the other end of the eSATA cable to the eSATA port of the computer.
4. Open "My Computer" to see the enclosure.
5. The cable can be connected or disconnected while the computer is running.

### *3.4 Connecting to a PC with an USB Cable*

1. Turn on the computer and start Windows.
2. Plug the Mini USB B connector (the smaller one) of the USB cable found in the package to the USB port of the enclosure.
3. Plug the USB A connector (the bigger one) to the USB port of the computer.
4. Open "My Computer" to see the enclosure.

### *3.5 One-Touch Backing Up Files*

Please refer the special instruction sheet, which can be found only in the package of the models with this function .

## ***4. Important Notices***

1. Do NOT operate this product if your hands are wet.
2. We recommend you to discharge static electricity by touching a metal object before operating this product.
3. To prevent data loss, do NOT disconnect power or restart this product when performing backup.
4. To prevent data loss, Do NOT shake this product when performing backup.

