

**Save space and improve
your workplace ergonomics !!!!**

Desk Mount LCD Arm

Model : EA-111/EA-112

(mounting via Desk Clamp with foot A/Grommet with foot B)



Monitor Tilt: 180 degrees.
Monitor Pan: 260 degrees.
Monitor Rotation: 90 degrees clockwise/counter-clockwise.

Arm Vertical adjustment: up 70 degrees.
Arm Rotation: 360 degrees.

Feature

- Supports 12~22 inches LCD monitors
- Rotating portrait and landscape of LCD monitor for better views.
- Upgrade LCD monitors with improved ergonomic adjustment.
- Simple installation -Mounting LCD monitor via desk Clamp/Grommet.
- Extends/retracts LCD monitor path; push your display out of the way when not in use.
- Cable management feature routes cables under the arm, out of the way.
- Mounting Standards: VESA FDMI MIS-D, 100&75, C (hole pattern: 100 x 100 mm & 75 x 75 mm)
- Color: Black or Silver.
- Warranty: 2 years or 5000 times for life of spring.



Foot:A

Foot:B

Product Data

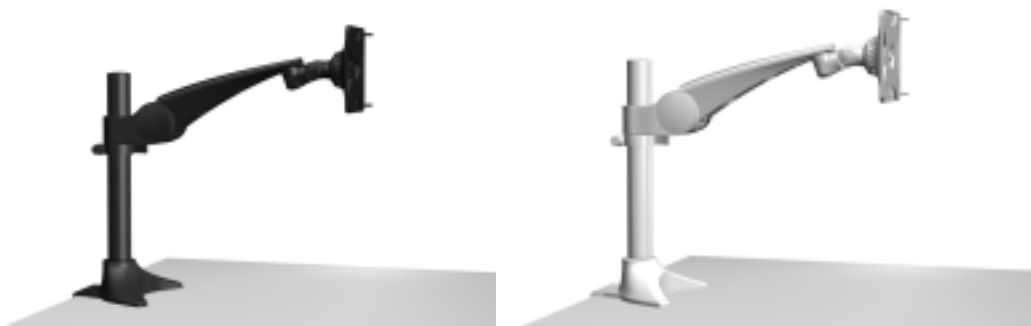
MODEL NO.	Color	Wt. Capacity	Shipping Dim.	Shipping Weight
EA-111/112-5S	Silver	3-5 kg (6.6-11.0 lbs)	1.03 cu.ft.	3.5/4.6 kg(7.7-10.1 lbs)
EA-111/112-5B	Black	3-5 kg (6.6-11.0 lbs)	1.03 cu.ft.	3.5/4.6 kg(7.7-10.1 lbs)
EA-111/112-9S	Silver	5-9 kg (11.0-19.8 lbs)	1.03 cu.ft.	3.5/4.6 kg(7.7-10.1 lbs)
EA-111/112-9B	Black	5-9 kg (11.0-19.8 lbs)	1.03 cu.ft.	3.5/4.6 kg(7.7-10.1 lbs)

**Save space and improve
your workplace ergonomics !!!!**

Desk Mount LCD Arm

Model : EA-111-A0/EA-112-A0

(mounting via Desk Clamp with foot A/Grommet with foot B)



Monitor Tilt: 180 degrees.
Monitor Pan: 260 degrees.
Monitor Rotation: 90 degrees clockwise/counter-clockwise.

Arm Vertical adjustment: up 70 degrees.
Arm Rotation: 360 degrees.

Feature

- Supports 12~22 inches LCD monitors
- Rotating portrait and landscape of LCD monitor for better views.
- Upgrade LCD monitors with improved ergonomic adjustment.
- Simple installation -Mounting LCD monitor via desk Clamp/Grommet.
- Extends/retracts LCD monitor path; push your display out of the way when not in use.
- Cable management feature routes cables under the arm, out of the way.
- Mounting Standards: VESA FDMI MIS-D, 100&75, C (hole pattern: 100 x 100 mm & 75 x 75 mm)
- Color: Black or Silver.
- Warranty: 2 years or 5000 times for life of spring.



Foot:A

Foot:B

Product Data

MODEL NO.	Color	Wt. Capacity	Shipping Dim.	Shipping Weight
EA-111-A0-5S/112-A0-5S	Silver	3-5 kg (6.6-11.0 lbs)	1.03 cu.ft.	3.1/4.2 kg(6.8-9.3 lbs)
EA-111-A0-5B/112-A0-5B	Black	3-5 kg (6.6-11.0 lbs)	1.03 cu.ft.	3.1/4.2 kg(6.8-9.3 lbs)
EA-111-A0-9S/112-A0-9S	Silver	5-9 kg (11.0-19.8 lbs)	1.03 cu.ft.	3.1/4.2 kg(6.8-9.3 lbs)
EA-111-A0-9B/112-A0-9B	Black	5-9 kg (11.0-19.8 lbs)	1.03 cu.ft.	3.1/4.2 kg(6.8-9.3 lbs)

Ever Case Technology Inc. <http://www.evercase.com>

Taiwan ' U.S. ' China May. 29, 2008

- 2 -



Create an Ergonomic Workstation for your Notebook Computer !!!!

Desk Mount LCD Arm with Notebook Tray

Model : EA101-PNB/ EA102-PNB

(mounting via Desk Clamp with foot A/Grommet with foot B)



Monitor Tilt: +90/-60 degrees.

Monitor Pan: 270 degrees.

Monitor Rotation: 90 degrees clockwise/counter-clockwise.

NB-tray Tilt: 30~45 degrees

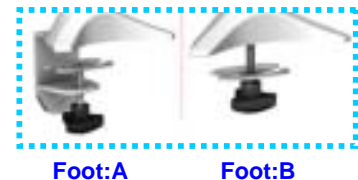
Arm Vertical adjustment: 0 degrees.

Arm Rotation: 360 degrees.

NB-tray Pan : max 180 degrees/min 80 degrees

Feature

- Supports 12~22 inches LCD monitors
- Rotating portrait and landscape of LCD monitor for better views.
- Cable management helps organizing cables neat.
- Simple attachment and compatible with most Notebook.
- Adjustable and open-side mounting plate allows up to 17" Notebook computer.
- A plate kit for Notebook computer (suitable for model No. EA-111/112: Desk LCD Mount Arm mounting via desk clamp/grommet).
- Color: Black or Silver.
- Warranty: 2 years.



Product Data

MODEL NO.	Color	Wt. Capacity	Shipping Dim.	Shipping Weight
EA101-PNB-S	Silver	Up to Max. 9 kgs (19.8 lbs)	1.37 cu.ft.	5.5/6.9 kg (12.10-15.18 lbs)
EA102-PNB-B	Black	Up to Max. 9 kgs (19.8 lbs)	1.37 cu.ft.	5.5/6.9 kg (12.10-15.18 lbs)

Ever Case Technology Inc. <http://www.evercase.com>

Taiwan ' U.S. ' China May. 29, 2008

- 3 -



Create an Ergonomic Workstation for your Notebook Computer !!!!

Desk Mount Arm with Notebook Tray

Model : EA101-NB/EA102-NB

(mounting via Desk Clamp with foot A/Grommet with foot B)



Arm Vertical adjustment: 0 degrees.
 Arm Rotation: 360 degrees.
 NB-tray Pan : Max 180 degrees/Min 80 degrees .
 NB-tray Tilt: 30~45 degrees



Foot:A

Foot:B

Feature

- Supports wide range of Notebook computer.
- Simple attachment and compatible with most Notebook.
- Adjustable and open-side mounting plated allows up to 17" Notebook computer.
- A plate kit for Notebook computer (suitable for model No. EA-111/112: Desk LCD Mount Arm mounting via desk clamp/grommet).
- Color: Black or Silver.
- Warranty: 2 years.

Product Data

MODEL NO.	Color	Wt. Capacity	Shipping Dim.	Shipping Weight
EA101-NB-S	Silver	Up to Max. 9 kgs (19.8 lbs)	1.37 cu.ft.	4.2/5.6 kg (9.24-12.32 lbs)
EA102-NB-B	Black	Up to Max. 9 kgs (19.8 lbs)	1.37 cu.ft	4.2/5.6 kg (6.24-12.32 lbs)

Ever Case Technology Inc. <http://www.evercase.com>

Taiwan ' U.S. ' China May. 29, 2008

- 4 -



**Save space and improve
your workplace ergonomics !!!!**

Desktop Mount Monitor Arm

Model : EA-121/EA-122

(mounting via Desk Clamp with foot A/Grommet with foot B)



Monitor Tilt: +45/-45 degrees.
Monitor Pan: 180 degrees.
Monitor Rotation: 90 degrees clockwise/counter-clockwise

Arm Vertical adjustment: 90 degrees.
Arm Rotation: 230 degrees.

Feature

- Supports 12~22 inches LCD monitors
- Rotating portrait and landscape of LCD monitor for better views.
- Upgrade LCD monitors with improved ergonomic adjustment.
- Simple installation -Mounting LCD monitor via desk Clamp/Grommet.
- Extends/retracts LCD monitor path; push your display out of the way when not in use.
- Cable management feature routes cables under the arm, out of the way.
- Mounting Standards: VESA FDMI MIS-D, 100&75, C (hole pattern: 100 x 100 mm & 75 x 75 mm)
- Tilt the display up or down 45 ° with one touch and it stays there.
- Color: Black or Silver.
- Warranty: 2 years or 5000 times for life of spring.



Foot:A

Foot:B

Product Data

MODEL NO.	Color	Wt. Capacity	Shipping Dim.	Shipping Weight
EA-121/122-S	Silver	3-9 kg (6.6-19.8 lbs)	1.15 cu.ft.	4.2/5.3 kg(9.24-11.68 lbs)
EA-121/122-B	Black	3-9 kg (6.6-19.8 lbs)	1.15 cu.ft.	4.2/5.3 kg(9.24-11.88 lbs)

**Save space and improve
your workplace ergonomics !!!!**

Desk Mount LCD Arm

Model : EA-111-P2 /EA112-P2

(mounting via Desk Clamp with foot A/Grommet with foot B)



Monitor Tilt: +90/-60 degrees. Arm Vertical adjustment: 0 degrees.
 Monitor Pan: Max 270/Min 80 degrees. Arm Rotation: 30 degrees.
 Monitor Rotation: 90 degrees clockwise/counter-clockwise
 Center Distance of 2 monitors: Max. 26 inch/Min.17inch. Pole height: 12 inch

Feature

- Constructed of high quality aluminum alloy.
- Adjusts easily for flat to significantly concave monitor arrangements
- Supports dual displays with diagonal screen-size from 12 up to 22 inches.
- Upgrade LCD monitors with improved ergonomic adjustment.
- Simple installation and easy operation-Mounting LCD monitor via desk clamp.
- Advanced cable management design, Cables under the arm out of the way.
- Mounting Standards: VESA FDMI MIS-D, 100&75, C (hole pattern: 100 x 100 mm & 75 x 75 mm)
- Color: Black or Silver.
- Warranty: 2 years.



Foot:A

Foot:B

Product Data

MODEL NO.	Color	Wt. Capacity	Shipping Dim.	Shipping Weight
EA-111-P2-S	Silver	Each VESA Plat Up to Max. 9 kgs (19.8 lbs)	0.85 cu.ft.	3.9/4.9 kg(8.6-10.8 lbs)
EA-111-P2-B	Black	Each VESA Plat Up to Max. 9 kgs (19.8 lbs)	0.85 cu.ft.	3.9/4.9 kg(8.6-10.8 lbs)

**Save space and improve
your workplace ergonomics !!!!**

Desk Mount LCD Arm

Model : EA-111-P3/EA-112-P3

(mounting via Desk Clamp with foot A/Grommet with foot B for Triple Displays)



Monitor Tilt: +90/-60 degrees.

Monitor Pan: Max. 270 /Min 80 degrees.

Monitor Rotation: 90 degrees clockwise/counter-clockwise

Center Distance of side monitor and center monitor: Max. 22 inch/Min.18 inch.

Pole height: 12 inch

Arm Vertical adjustment: 0 degrees.

Arm Rotation: 30 degrees.

Feature

- Constructed of aluminum and steel.
- Easily swivel, tilt, fold, or rotate your LCDs to perfection.
- Supports triple displays with diagonal screen-size from 12 up to 22 inches.
- Upgrade LCD monitors with improved ergonomic adjustment.
- Simple installation and easy operation-Mounting LCD monitor via desk clamp.
- Advanced cable management design, Cables under the arm out of the way.
- Mounting Standards: VESA FDMI MIS-D, 100&75, C (hole pattern: 100 x 100 mm & 75 x 75 mm)
- Color: Black or Silver.
- Warranty: 2 years.

Product Data

MODEL NO.	Color	Wt. Capacity	Shipping Dim.	Shipping Weight
EA-111-P3-S	Silver	Each VESA Plat Up to Max. 9 kgs (19.8 lbs)	0.85 cu.ft.	5.6/6.7 kg(12.3-14.7 lbs)
EA-111-P3-B	Black	Each VESA Plat Up to Max. 9 kgs (19.8 lbs)	0.85 cu.ft.	5.6/6.7 kg(12.3-14.7 lbs)

Ever Case Technology Inc. <http://www.evercase.com>

Taiwan ' U.S. ' China May. 29, 2008

- 7 -



**Save space and improve
your workplace ergonomics !!!!**

Desk Mount LCD Arm

Model : EA-112-P4

(mounting via Grommet for Fourfold Displays)



Monitor Tilt: +90/-60 degrees.
 Monitor Pan: Max 270 /Min 80 degrees.
 Monitor Rotation: 90 degrees clockwise/counter-clockwise
 Center Distance of 2 monitors: Max. 26 inch, Min.17 inch.
 Pole height: 26 inch

Arm Vertical adjustment: 0 degrees.
 Arm Rotation: 30 degrees.

Feature

- Constructed of aluminum and steel.
- Easily swivel, tilt, fold, or rotate your LCDs to perfection.
- Supports triple displays with diagonal screen-size from 12 up to 22 inches.
- Upgrade LCD monitors with improved ergonomic adjustment.
- Simple installation and easy operation-Mounting LCD monitor via desk clamp.
- Advanced cable management design, Cables under the arm out of the way.
- Mounting Standards: VESA FDMI MIS-D, 100&75, C (hole pattern: 100 x 100 mm & 75 x 75 mm)
- Color: Black or Silver.
- Warranty: 2 years.

Product Data

MODEL NO.	Color	Wt. Capacity	Shipping Dim.	Shipping Weight
EA-112-P4-S	Silver	Each VESA Plat Up to Max. 9 kgs (19.8 lbs)	1.88 cu.ft.	6.9/9.3 kg(15.2-20.5 lbs)
EA-112-P4-B	Black	Each VESA Plat Up to Max. 9 kgs (19.8 lbs)	1.88 cu.ft.	6.9/9.3 kg(15.2-20.5 lbs)

Ever Case Technology Inc. <http://www.evercase.com>

Taiwan ' U.S. ' China May. 29, 2008

- 8 -

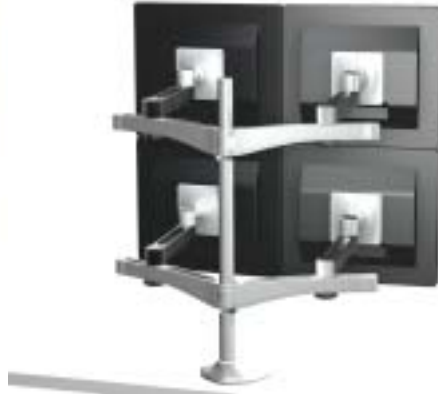


**Save space and improve
your workplace ergonomics !!!!**

Desk Mount LCD Arm

Model : EA-112-P4E

(mounting via Grommet for quadruplicate Displays)



Monitor Tilt: +90/-60 degrees.
Monitor Pan: Max. 270 /Min 80 degrees.
Monitor Rotation: 90 degrees clockwise/counter-clockwise
Center Distance of 2 monitors: Max. 44 inch/Min.17.5 inch.
Pole height: 26 inch

Arm Vertical adjustment: 0 degrees.
Arm Rotation: 30 degrees.

Feature

- Constructed of aluminum and steel.
- Easily swivel, tilt, fold, or rotate your LCDs to perfection.
- Supports triple displays with diagonal screen-size from 12 up to 22 inches.
- Upgrade LCD monitors with improved ergonomic adjustment.
- Simple installation and easy operation-Mounting LCD monitor via desk clamp.
- Advanced cable management design, Cables under the arm out of the way.
- Mounting Standards: VESA FDMI MIS-D, 100&75, C (hole pattern: 100 x 100 mm & 75 x 75 mm)
- Color: Black or Silver.
- Warranty: 2 years.

Product Data

MODEL NO.	Color	Wt. Capacity	Shipping Dim.	Shipping Weight
EA-112-P4E-S	Silver	Each VESA Plat Up to Max. 9 kgs (19.8 lbs)	1.88 cu.ft.	8.5/10.9 kg(18.7-24 lbs)
EA-112-P4E-B	Black	Each VESA Plat Up to Max. 9 kgs (19.8 lbs)	1.88 cu.ft.	8.5/10.9 kg(18.7-24 lbs)

Ever Case Technology Inc. <http://www.evercase.com>

Taiwan ' U.S. ' China May. 29, 2008

- 9 -



**Save space and improve
your workplace ergonomics !!!!**

Desk Mount LCD Arm

Model : EA-112-P6

(mounting via Grommet for Sextuple Displays)



Monitor Tilt: +90/-60 degrees.
Monitor Pan: Max 270 /Min 80 degrees.
Monitor Rotation: 90 degrees clockwise/counter-clockwise
Center Distance of side monitor and center monitor: Max. 22 inch/Min.18 inch.
Pole height: 26 inch

Arm Vertical adjustment: 0 degrees.
Arm Rotation: 30 degrees.

Feature

- Constructed of aluminum and steel.
- Easily swivel, tilt, fold, or rotate your LCDs to perfection.
- Supports triple displays with diagonal screen-size from 12 up to 22 inches.
- Upgrade LCD monitors with improved ergonomic adjustment.
- Simple installation and easy operation-Mounting LCD monitor via desk clamp.
- Advanced cable management design, Cables under the arm out of the way.
- Mounting Standards: VESA FDMI MIS-D, 100&75, C (hole pattern: 100 x 100 mm & 75 x 75 mm)
- Color: Black or Silver.
- Warranty: 2 years.

Product Data

MODEL NO.	Color	Wt. Capacity	Shipping Dim.	Shipping Weight
EA-112-P6-S	Silver	Each VESA Plat Up to Max. 9 kgs (19.8 lbs)	1.88 cu.ft.	9.3/11.7 kg(20.5-25.7 lbs)
EA-112-P6-B	Black	Each VESA Plat Up to Max. 9 kgs (19.8 lbs)	1.88 cu.ft.	9.3/11.7 kg(20.5-25.7 lbs)

Ever Case Technology Inc. <http://www.evercase.com>

Taiwan ' U.S. ' China May. 29, 2008

- 10 -



**Save space and improve
your workplace ergonomics !!!!**

Wall Mount LCD Arm

Model : EA-114-A1



Monitor Tilt: +60/-60 degrees.
Monitor Rotation: 90 degrees clockwise/counter-clockwise.

Arm left/right Rotation: 90/90 degrees.

Feature

- *Firmly mounts to solid wall.*
- *Supports 12~22 inches LCD monitors.*
- *Constructed of high quality aluminum alloy.*
- *Upgrade LCD monitors with improved ergonomic adjustment.*
- *Rotating portrait and landscape of LCD monitor for better views.*
- *Cable management feature routes cables under the arm, out of the way.*
- *Mounting Standards: VESA FDMI MIS-D, 100&75, C (hole pattern: 100 x 100 mm & 75 x 75 mm)*
- *Color: Black or Silver.*
- *Warranty: 2 years.*

Product Data

MODEL NO.	Color	Wt. Capacity	Shipping Dim.	Shipping Weight
EA-114-A1-S	Silver	Up to Max. 9 kgs (19.8 lbs)	0.17 cu.ft.	1.25-1.75 kg (2.7-3.8 lbs)
EA-114-A1-B	Black	Up to Max. 9 kgs (19.8 lbs)	0.17 cu.ft.	1.25-1.75 kg (2.7-3.8 lbs)

**Save space and improve
your workplace ergonomics !!!!**

Wall Mount LCD Arm

Model : EA-114-A2



Monitor Tilt: 180 degrees.
Monitor Pan: 260 degrees.
Monitor Rotation: 90 degrees Clockwise/counter-clockwise.

Arm left/right Rotation: 90/90 degrees.
Arm Vertical adjustment: 70 degrees.

Feature

- *Firmly mounts to solid wall.*
- *Supports 12~22 inches LCD monitors.*
- *Constructed of high quality aluminum alloy.*
- *Upgrade LCD monitors and TVs with improved ergonomic adjustment.*
- *Rotating portrait and landscape of LCD monitor for better views.*
- *Cable management feature routes cables under the arm, out of the way.*
- *Mounting Standards: VESA FDMI MIS-D, 100&75, C (hole pattern: 100 x 100 mm & 75 x 75 mm)*
- *Color: Black or Silver.*
- *Warranty: 2 years or 5000 times for life of spring.*

Product Data

MODEL NO.	Color	Wt. Capacity	Shipping Dim.	Shipping Weight
EA-114-A2-5S	Silver	3-5 kg (6.6-11.0 lbs)	0.49 cu.ft.	2.1-2.8 kg (4.6-6.2 lbs)
EA-114-A2-5B	Black	3-5 kg (6.6-11.0 lbs)	0.49 cu.ft.	2.1-2.8 kg (4.6-6.2 lbs)
EA-114-A2-9S	Silver	5-9 kg (11.0-19.8 lbs)	0.49 cu.ft.	2.1-2.8 kg (4.6-6.2 lbs)
EA-114-A2-9B	Black	5-9 kg (11.0-19.8 lbs)	0.49 cu.ft.	2.1-3.8 kg (4.6-6.2 lbs)

**Save space and improve
your workplace ergonomics !!!!**

Wall Mount LCD Arm

Model : EA-114-A3



Monitor Tilt: 180 degrees.
Monitor Pan: 260 degrees.
Monitor Rotation: 90 degrees clockwise/counter-clockwise

Arm Vertical adjustment: up 70 degrees.
Arm Rotation: 180 degrees.

Feature

- *Firmly mounts to solid wall.*
- *Supports 12~22 inches LCD monitors.*
- *Constructed of high quality aluminum alloy.*
- *Upgrade LCD monitors with improved ergonomic adjustment.*
- *Rotating portrait and landscape of LCD monitor for better views.*
- *Cable management feature routes cables under the arm, out of the way.*
- *Mounting Standards: VESA FDMI MIS-D, 100&75, C (hole pattern: 100 x 100 mm & 75 x 75 mm)*
- *Color: Black or Silver.*
- *Warranty: 2 years or 5000 times for life of spring.*

Product Data

MODEL NO.	Color	Wt. Capacity	Shipping Dim.	Shipping Weight
EA-114-A3-5S	Silver	3-5 kg (6.6-11.0 lbs)	0.58 cu.ft.	2.5-3.3 kg (5.5-7.3 lbs)
EA-114-A3-5B	Black	3-5 kg (6.6-11.0 lbs)	0.58 cu.ft.	2.5-3.3 kg (5.5-7.3 lbs)
EA-114-A3-9S	Silver	5-9 kg (11.0-19.8 lbs)	0.58 cu.ft.	2.5-3.3 kg (5.5-7.3 lbs)
EA-114-A3-9B	Black	5-9 kg (11.0-19.8 lbs)	0.58 cu.ft.	2.5-3.3 kg (5.5-7.3 lbs)

**Save space and improve
your workplace ergonomics !!!!**

Wall Mount LCD Arm

Model : EA-124-A2



Monitor Tilt: 90 degrees.
Monitor Pan: 180 degrees.
Monitor Rotation: 90 degrees clockwise/counter-clockwise

Arm left/right Rotation: 90/90 degrees.
Arm Vertical adjustment: +45/-45 degrees.

Feature

- *Firmly mounts to solid wall.*
- *Supports 12~22 inches LCD monitors.*
- *Constructed of high quality aluminum alloy.*
- *Upgrade LCD monitors and TVs with improved ergonomic adjustment.*
- *Rotating portrait and landscape of LCD monitor for better views.*
- *Cable management feature routes cables under the arm, out of the way.*
- *Mounting Standards: VESA FDMI MIS-D, 100&75, C (hole pattern: 100 x 100 mm & 75 x 75 mm)*
- *Tilt the display up or down 45 ° with one touch and it stays there*
- *Color: Black or Silver.*
- *Warranty: 2 years or 5000 times for life of spring.*

Product Data

MODEL NO.	Color	Wt. Capacity	Shipping Dim.	Shipping Weight
EA-124-A2-S	Silver	3~9kg	0.62 cu.ft.	2.7/3.7 kg(5.94- 8.14lbs)
EA-124-A2-B	Black	3~9kg	0.62 cu.ft.	2.7/3.7 kg(5.94- 8.14lbs)

**Save space and improve
your workplace ergonomics !!!!**

Wall Mount LCD Arm

Model : EA-124-A3



Monitor Tilt: 90 degrees.
Monitor Pan: 180 degrees.
Monitor Rotation: 90 degrees RIGHT/LEFT.

Arm1 left/right Rotation: 90/90 degrees.
Arm Vertical adjustment: +45/-45 degrees.
Arm2 left/right Rotation: 115/115degrees

Feature

- *Firmly mounts to solid wall.*
- *Supports 12~22 inches LCD monitors.*
- *Constructed of high quality aluminum alloy.*
- *Upgrade LCD monitors and TVs with improved ergonomic adjustment.*
- *Rotating portrait and landscape of LCD monitor for better views.*
- *Cable management feature routes cables under the arm, out of the way.*
- *Mounting Standards: VESA FDMI MIS-D, 100&75, C (hole pattern: 100 x 100 mm & 75 x 75 mm)*
- *Tilt the display up or down 45 ° with one touch and it stays there*
- *Color: Black or Silver.*
- *Warranty: 2 years or 5000 times for life of spring.*

Product Data

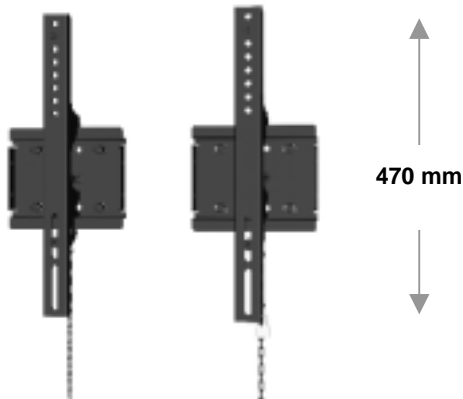
MODEL NO.	Color	Wt. Capacity	Shipping Dim.	Shipping Weight
EA-124-A3-S	Silver	3~9kg	0.75 cu.ft.	3.2/4.2 kg(5.94- 8.14lbs)
EA-124-A3-B	Black	3~9kg	0.75 cu.ft.	3.2/4.2 kg(5.94- 8.14lbs)

**Save space and improve
your workplace ergonomics !!!!**

LCD / Plasma TV Wall Mount Kit ~ F series

Model : EA-W10-F1

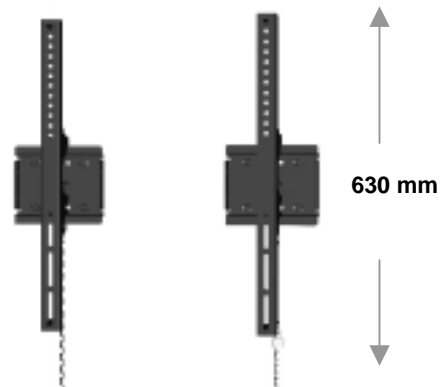
(for Panel TV under 42 inches)



Options : Key-lock function

Model : EA-W10-F2

(for Panel TV : 42-63 inches)



Options : Key-lock function

Feature

- Firmly mounts to solid wall.
- Constructed of high quality steel.
- Fixed type.
- Model : EA-W10-F1, supports Flat Panel TV, size under 42 inches.
- Model : EA-W10-F2, supports Flat Panel TV, size 42 to 63 inches.
- Mounting Standards: VESA FDMI MIS-E&F.
- Color: Black.
- Warranty: 2 years.

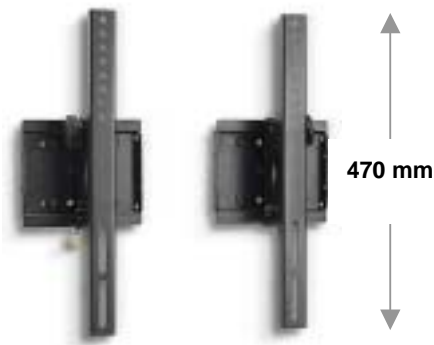
Product Data

MODEL NO.	Color	Wt. Capacity	Shipping Dim.	Shipping Weight
EA-W10-F1	Black	Flat Panel TV under 42 inches (Up to Max.50 kgs)	0.19 cu.ft.	3.5/3.9 kg(7.7-8.6 lbs)
EA-W10-F2	Black	Flat Panel TV: 42~63 inches (Up to Max.80 kgs)	0.22 cu.ft.	3.9/4.3 kg(8.6-9.5 lbs)

**Save space and improve
your workplace ergonomics !!!!**

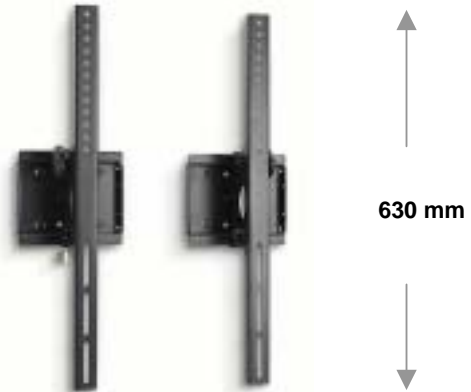
LCD / Plasma TV Wall Mount Kit ~ T series

Model : EA-W10-T1
(for Panel TV under 42 inches)



Options : Key-lock function

Model : EA-W10-T2
(for Panel TV : 42-63 inches)



Options : Key-lock function

Pivots upward & downward: -5 to 15 degrees.

- *Firmly mounts to solid wall.*
- *Constructed of high quality steel.*
- *Pivots upward & downward: -5 to 15 degrees.*
- *Model : EA-W10-T1 supports Flat Panel TV, size under 42 inches.*
- *Model : EA-W10-T2 supports Flat Panel TV, size 42 to 63 inches.*
- *Mounting Standards: VESA FDMI MIS-E&F.*
- *Color: Black.*
- *Warranty: 2 years.*

Product Data

MODEL NO.	Color	Wt. Capacity	Shipping Dim.	Shipping Weight
EA-W10-T1	Black	Flat Panel TV under 42 inches (Up to Max.50 kgs)	0.37 cu.ft.	4.7/5.0 kg(10.3-11 lbs)
EA-W10-T2	Black	Flat Panel TV 42~63 inches (Up to Max.80 kgs)	0.46 cu.ft.	5.0/5.5 kg(11.0-12.1 lbs)

**Save space and improve
your workplace ergonomics !!!!**

LCD / Plasma TV Wall Mount Kit ~ V series

Model : EA-W10-V1

Model : EA-W10-V2

Model : EA-W10-VR1

(Designed for Panel TV under 37 inches)



Options : Key-lock function

Fixed type.



Pivots upward & downward:
-5 to 15 degrees.



Pivots upward & downward: -5 to 15 degrees.
Arm left/right Rotation: 90/90 degrees.

Feature

- *Firmly mounts to solid wall.*
- *Constructed of high quality steel.*
- *Model : EA-W10-VR1 provides Cable Management., helps organizing cables neat.*
- *Type V2&VR1: Pivots upward & downward: -5 to 15 degrees.*
- *Supports LCD monitors & Flat Panel TV, size under 37 inches.*
- *Mounting Standards: VESA MIS-D/E,C, hole pattern: 200 x 200 mm, 200 x 100 mm, 100 x 100 mm & 75 x 75 mm)*
- *Color: Black.*
- *Warranty: 2 years.*

Product Data

MODEL NO.	Color	Wt. Capacity	Shipping Dim.	Shipping Weight
EA-W10-V1	Black	LCD display/TV under 37 inches (Up to Max.50 kgs)	0.13 cu.ft.	1.9/2.1 kg(4.2-4.6 lbs)
EA-W10-V2	Black	LCD display/TV under 37 inches (Up to Max.50 kgs)	0.18 cu.ft.	3.4/3.7 kg(7.5-8.1 lbs)
EA-W10-VR1	Black	LCD display/TV under 37 inches (Up to Max.40 kgs)	0.73 cu.ft.	7.2/7.7 kg(15.8-16.9 lbs)

Ever Case Technology Inc. <http://www.evercase.com>

Taiwan ' U.S. ' China May. 29, 2008

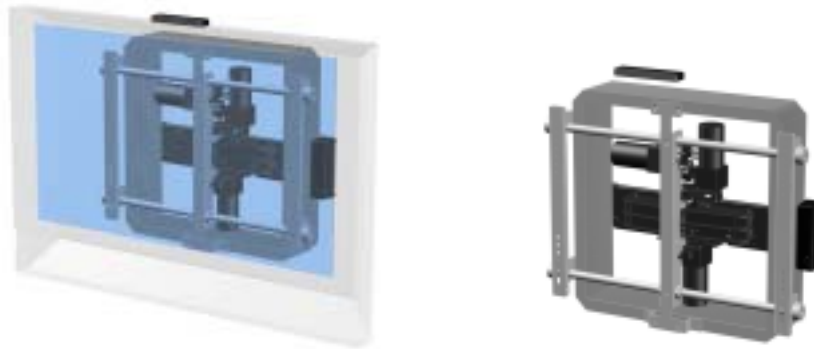
- 18 -



**Save space and improve
your workplace ergonomics !!!!**

Remote Controlled Motorized TV Mount

Model : EA-W20



Feature

- 3-way motions – reach, swivel, tilt.
- Compact in size, only 175 mm (6.9”) in depth required for installation.
- Rigid and quiet.
- Manually adjustable angle.
- 4 sets of pre-programmed locations including “15 ° /right”, “15 ° /left”, “30 ° /right”, “30 ° left”.
- 2 set of memorized locations.
- Auto-Stopping by hitting something.
- Automatically directing to the user’s location.
- 2 ways to lock the TV and TV arm on the wall.

Specifications

1. For flat LCD TV from 37” to 52” or 37-50” Plasma TV, or supporting Max. weight 50KG(110lbs).
2. Swivel = 30 ° each side; backward tilt = 5 ° ; forward tilt = 15 ° ; forward motion range = 206mm (8 1/8”).
3. 24V power adaptor.

Product Data

MODEL NO.	Color	Container Capacity	Shipping Dim.	Shipping Weight
EA-W20-B	Black	216/432/486 pcs (20/40/40HQ)	4.71 cu.ft.	21.5-25.5 kg (47.4-56.2 lbs)

Wall Rail Mount System

Model : EA-114-TS

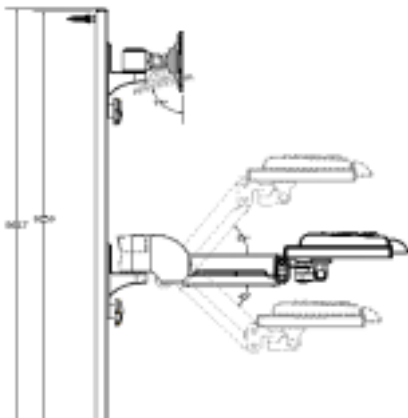


Feature

- Wall-mounted solution keeping your working space neat
- Aluminum-alloy rail and fixtures providing rigidity and durability
- No tool required to set positions
- Continuous angle adjustment for keyboard tray
- Foldable keyboard tray with retractable mouse tray to free up space

Specifications

1. for monitor displays weighted 3 ~ 9kg (6.6 ~ 19.8 lbs)
2. overall rail length = 860.7 mm (33.9" custom-made spec. is acceptable);
motion range = 825 mm (32.5")



Product Data

MODEL NO.	Color	Container Capacity	Shipping Dim.	Shipping Weight
EA-114-TS	Silver	671/1342/1570 pcs (20/40/40HQ)	1.49 cu.ft.	6.2-7.4 kg (13.6-16.3 lbs)

Ever Case Technology Inc. <http://www.evercase.com>

Taiwan ' U.S. ' China May. 29, 2008

- 20 -



Mobile Workstation

Model : EA-MS10



Monitor Tilt: 180 degrees.
Monitor Pan: 180 degrees.
Key board loading Capacity : 1~3kg
Key board Tilt: 0~45 degrees
Monitor Rotation: 90 degrees clockwise/counter-clockwise



Key board arm Tilt: 45/45 degrees.
Key board arm Pan: 180 degrees.
Monitor Loading Capacity: 3~9kg

Feature

- Easy to move around with the entire computer system
- Tool-free adjustment for monitor and keyboard tray for sitting and standing
- Neat cable routing
- Rigid 5-leg base with wheels and brakes
- Various accessories for attaching monitor, computer case, UPS and others.
- Foldable keyboard tray with retractable mouse tray to free up space
- Supports 12~22 inches LCD monitors
- Color: Silver.
- Warranty: 2 years or 5000 times for life of spring.

Product Data

MODEL NO.	Color	Container Capacity	Shipping Dim.	Shipping Weight
EA-MS10	Silver	190/380/450 pcs (20/40/40HQ)	5.16 cu.ft.	18.4/25.1 kg(40.5- 55.2lbs)