

Features

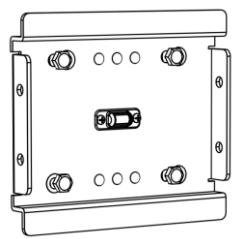
- Quick installation
- Fits most flat panel displays up to 42"
- Maximum Loading Capacity: 90 Kg or 200 pounds
- 11 inches or 280 mm lateral shift
- Built-in level



WARNING

- Please read through these installation instructions carefully before proceeding with the installation.
- Ensure that the wall is capable to support the total weight of the mounted equipments.
- Do not exceed the Maximum Loading Capacity specified above.
- If this product is mounted on a wood wall, ensure that the mounting holes are located to the center of the studs. Use of a stud finder is highly suggested.
- Always have two people lift the display for safety.

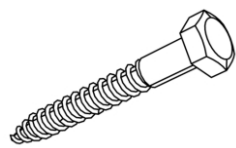
1 Physical Descriptions



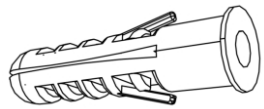
Wall Plate x 2



Display Brackets x 2



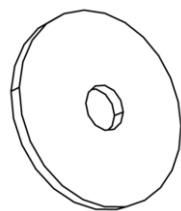
M8*60 Self-tapping Screw x 8



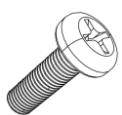
φ 10*50 Plastic Anchor x 8



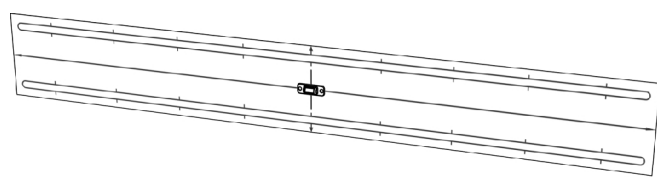
8 mm Washer x 8



6 mm Washer x 4

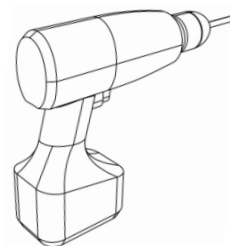


M6*20 Screw x 2



Drilling Template x 1

2 Tools Required



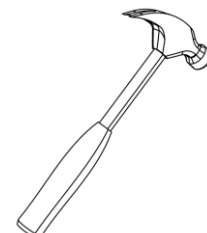
Electric Drill



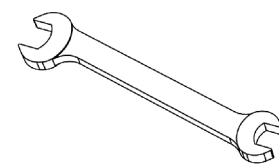
4 mm or 5/32" Wood Drill Bit



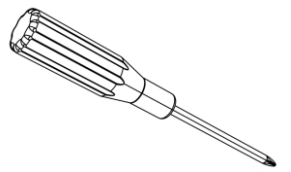
10 mm Concrete Drill Bit



Hammer



Open End Wrench



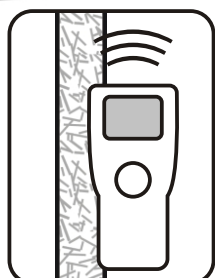
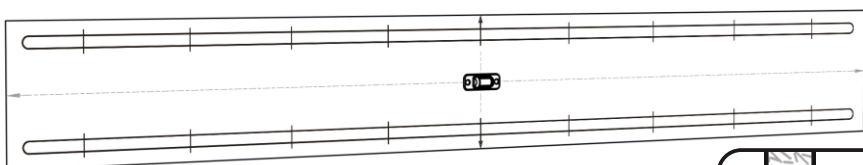
Phillips Screw Driver



Stud Finder (for Wood Wall)

3 Place Template

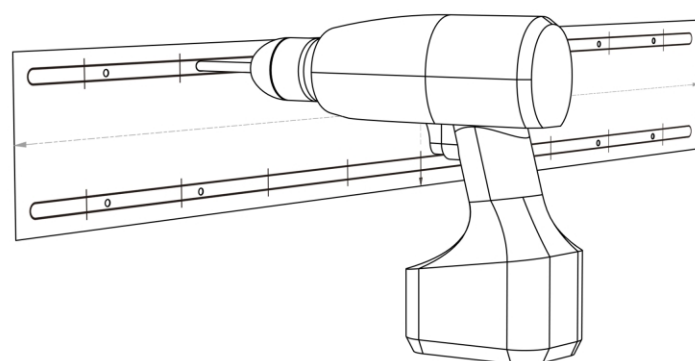
Level the template horizontally with the level attached and attach it to the wall. Mark the holes on the template.



If mounting to wood wall, ensure the holes will be anchored on the center of the studs using a stud finder. If necessary, the holes may be located through the holes in the middle of the wall plates.

4.a for Wood Wall Drill Holes Through Template

Drill the holes through the template into the wall to a minimum depth of 20 mm or 0.8 inches using a 4 mm or 5/32" wood drill bit for wood wall. Skip to Step 5.

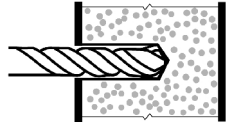
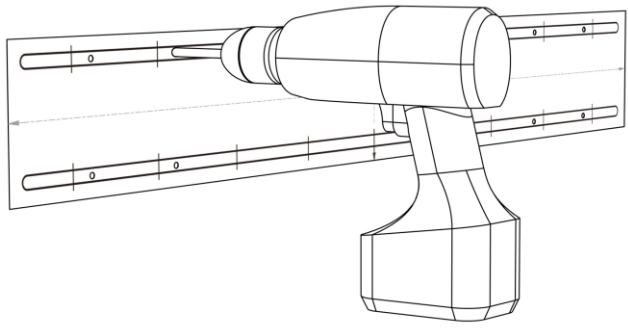


4 mm or 5/32" wood drill bit

4.b for Concrete Wall

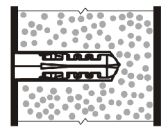
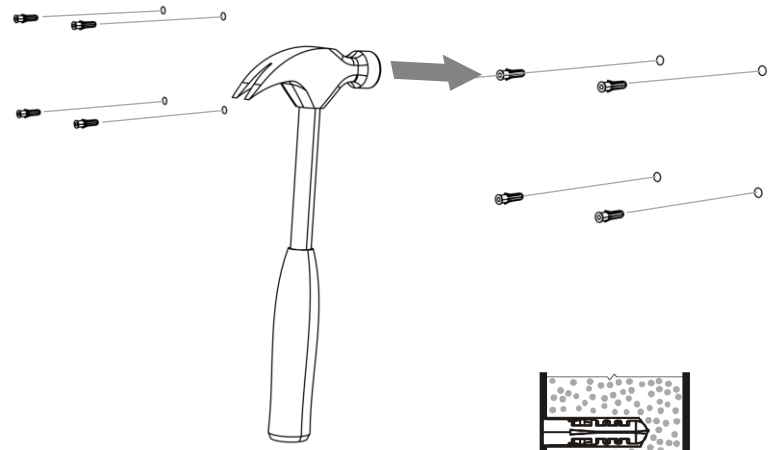
Drill Holes Through Template and Place Plastic Anchors

Drill the holes through the template into the wall to a minimum depth of 60 mm or 2.4 inches using a 10 mm concrete drill bit for concrete wall.



10 mm concrete drill bit

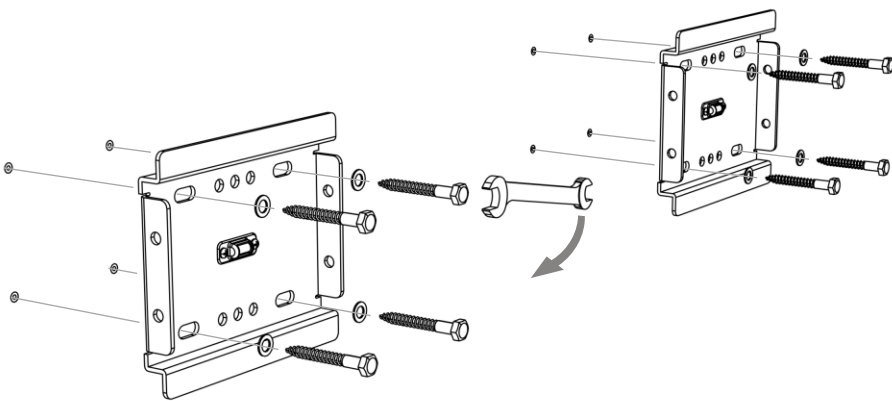
Place the plastic anchors into the holes using a hammer. No plastic anchor is required for mounting on wood wall. Skip to Step 5.



plastic anchor

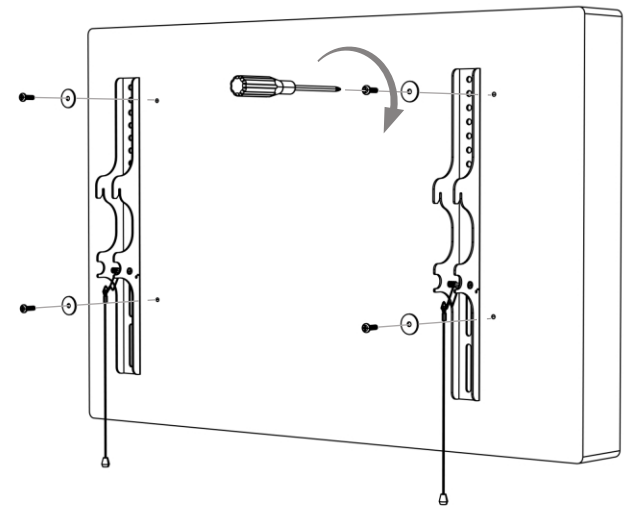
5 Attach Wall Plates to Wall

Turn screws through the wall plates into the wall with 8mm washers using an open end wrench. Tighten the screws firmly, but do not overtighten them.



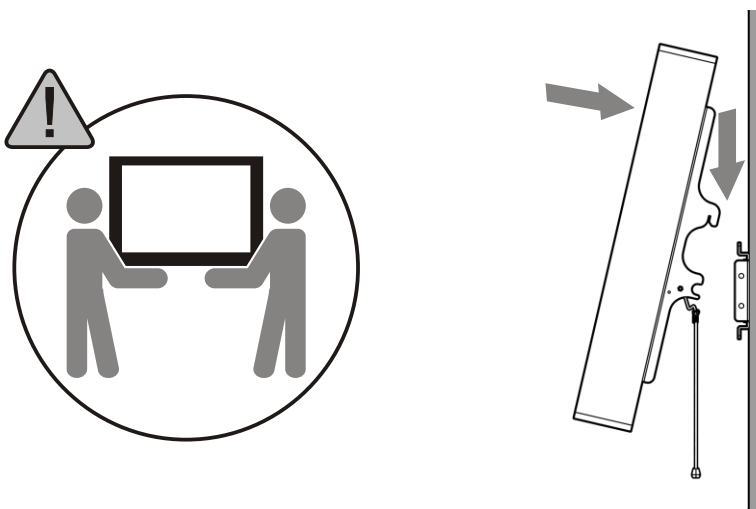
6 Attach Display Brackets to Display

Attach the display brackets to the back of the display using M6*20 screws and 6 mm washers. The display brackets should be centered on the back of the display.



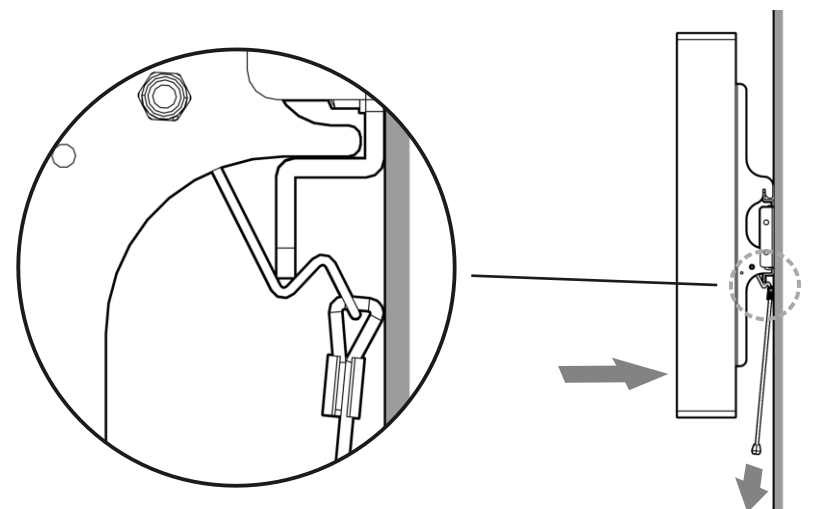
7 Hook Display Brackets onto Wall Plates

Have two people hook the display brackets onto the wall plates. Always have two people lift the display for safety.



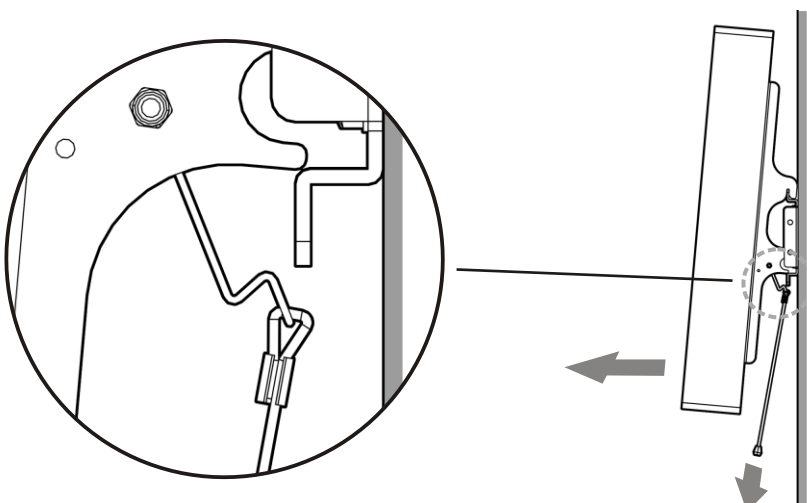
8 Press to Engage Display Brackets into Wall Plates

Push the bottom of the display to engage the display brackets into the wall plates.



9 Pull Strap to Unmount Display

Pull the strap downward and pull the bottom of the display outward to release the display bracket. The display now can be unmounted. Always have two people unmount the display.



10 Range Of Motion

The display can be shifted for 11 inches or 280 mm laterally.

