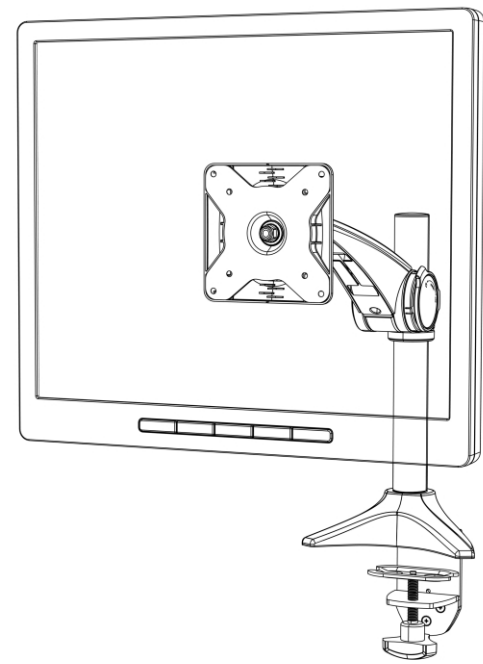


EA-111-A0 Monitor Arm

INSTALLATION INSTRUCTIONS



VERSION 1.0

1 Take Out Tools

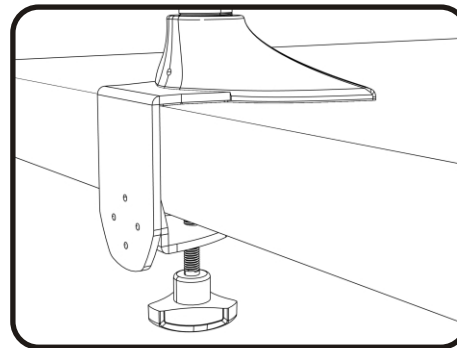
Two hex key wrenches can be found inside the pole by removing the cover on the top of the pole. A 2.5 mm hex key wrench is required for assembly before use. A 5mm hex key wrench is required for re-tightening the hex bolts on the arm when necessary.



2 Attach Pole To Desk

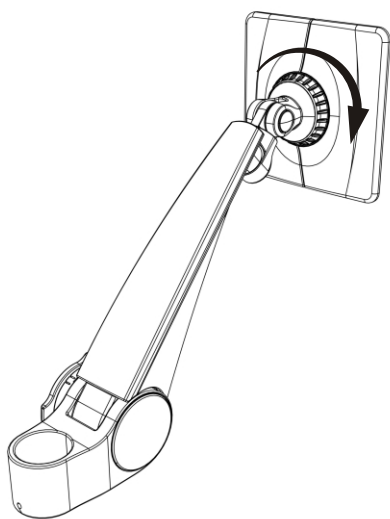
Attach the pole to the desk by turning the knobbed bolt tight.

Reverse the L-shape plate of the fixture to clamp onto a thick desk, if necessary.

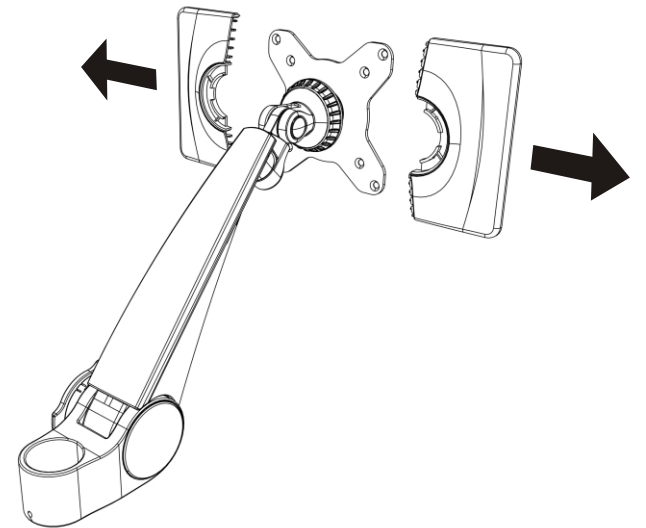


3 Unlock VESA Plate Covers

Turn the knob next to the VESA plate clockwise to unlock the VESA plate covers.

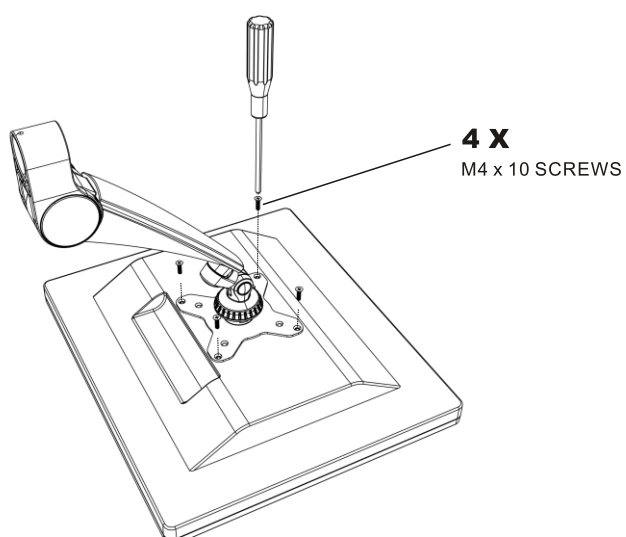


4 Remove VESA Plate Covers

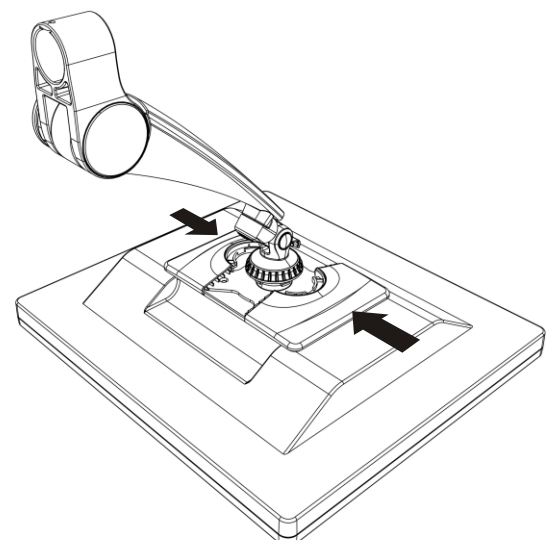


5 Attach VESA Plate To LCD Monitor

Using a Philips screw driver, attach the VESA plate to the back of your LCD monitor.

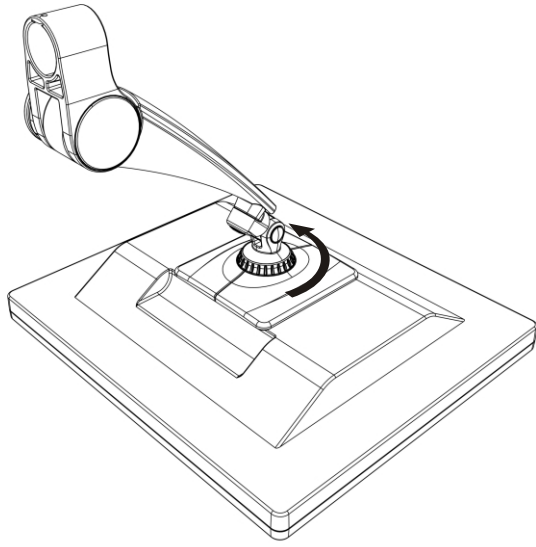


6 Insert VESA Plate Covers Back



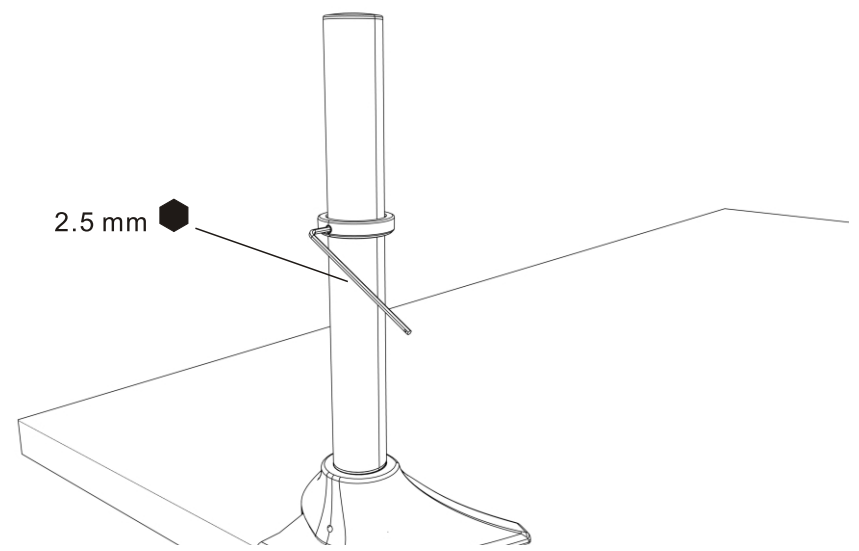
7 Lock VESA Plate Covers

Turn the knob next to the VESA plate counter-clockwise to lock the VESA plate covers.

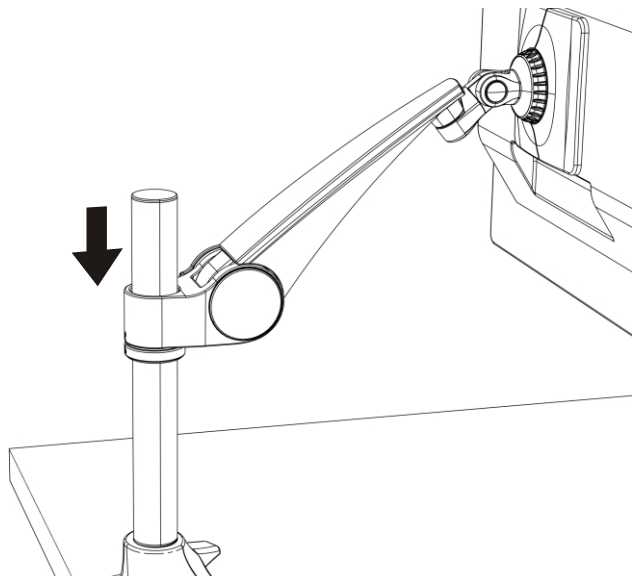


8 Set Arm Height

Loose the hex bolt on the ring that attaches to the pole to set the desired height with the 2.5 mm hex key wrench provided, then fully re-tighten the hex bolt.

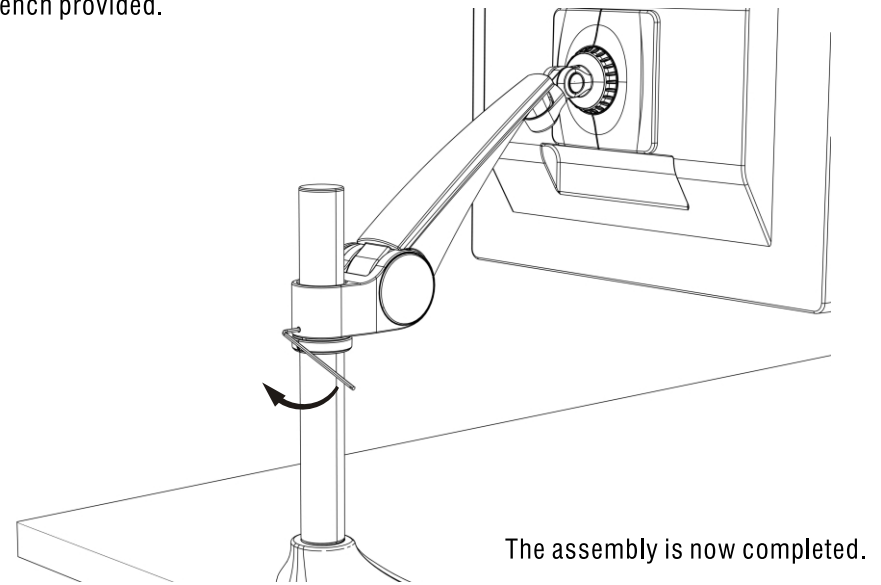


11 Attach Arm To Pole



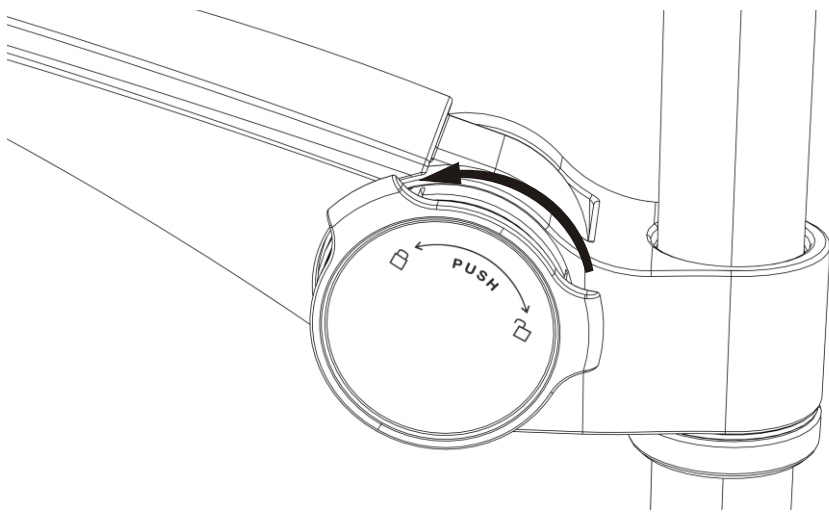
12 Set Extension Friction

Loose or tighten the hex bolts on the arm to set the desired friction with the 2.5 mm hex key wrench provided.



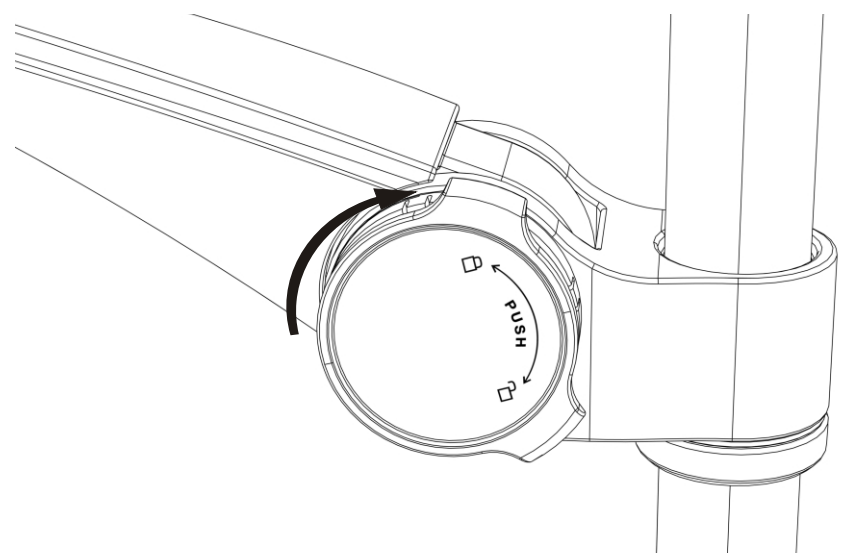
13 Lock Arm

Press and turn the ring on the side of the arm 45 degree counter-clockwise to lock the arm.

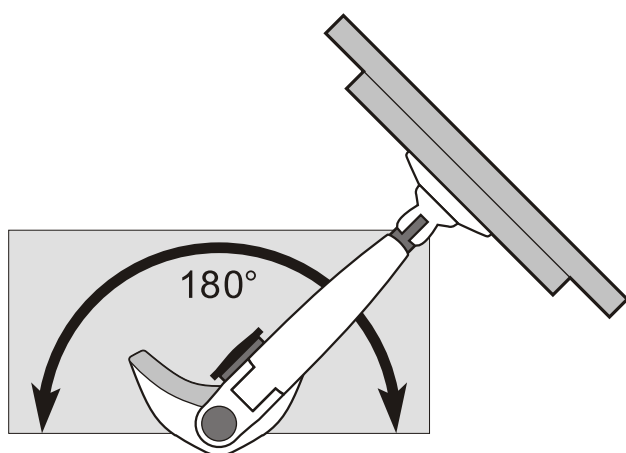


14 Unlock Arm

Press and turn the ring on the side of the arm 45 degree clockwise to unlock the arm.



15 Range Of Motion



The range of motion for the extension/arm is limited to 180 degree forward.

16 ⚠ Warning

