

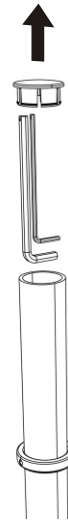
EA-112-P6 Monitor Arm

ASSEMBLY INSTRUCTIONS

VERSION 1.0

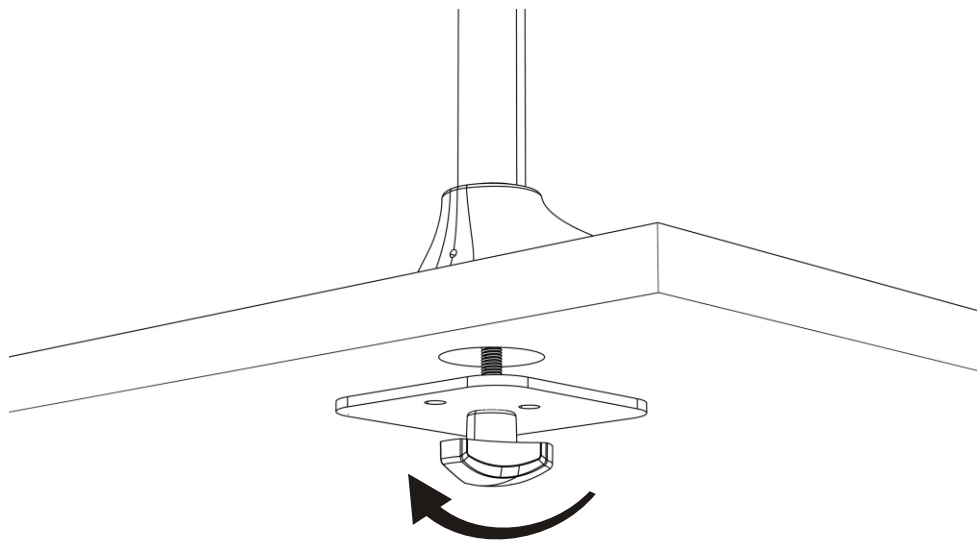
1 Take Out Tools

Two hex key wrenches can be found inside the pole by removing the cover on the top of the pole. A 2.5 mm hex key wrench is required for assembly before use. A 5mm hex key wrench is required for re-tightening the hex bolts on the arm when necessary.



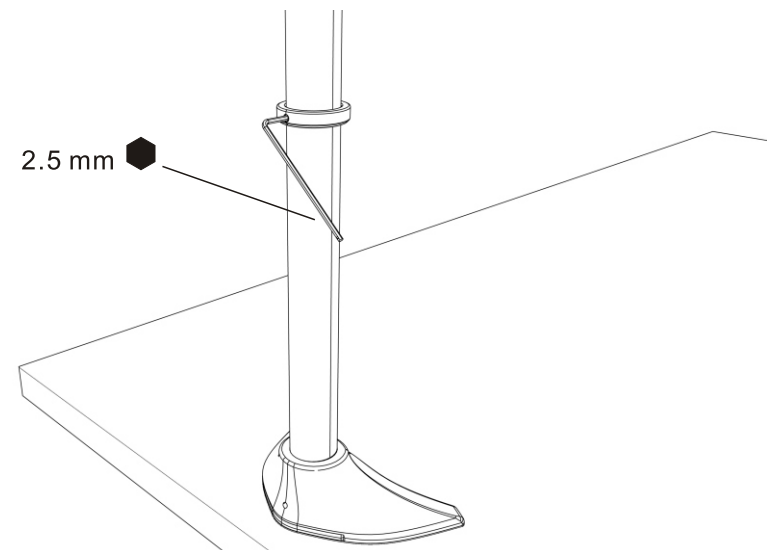
2 Attach Pole To Desk

Attach the pole through the hole on the desk turning the knobbed bolt tight.



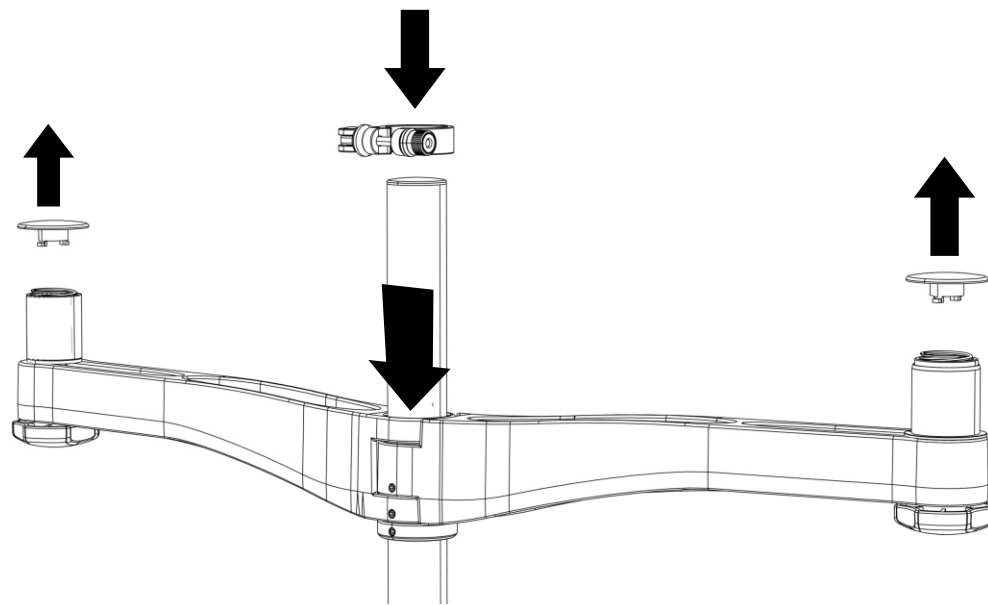
3 Set Extension Height

Loosen the hex bolt on the extension ring to set the desired height with the 2.5 mm hex key wrench provided, then fully re-tighten the hex bolt.



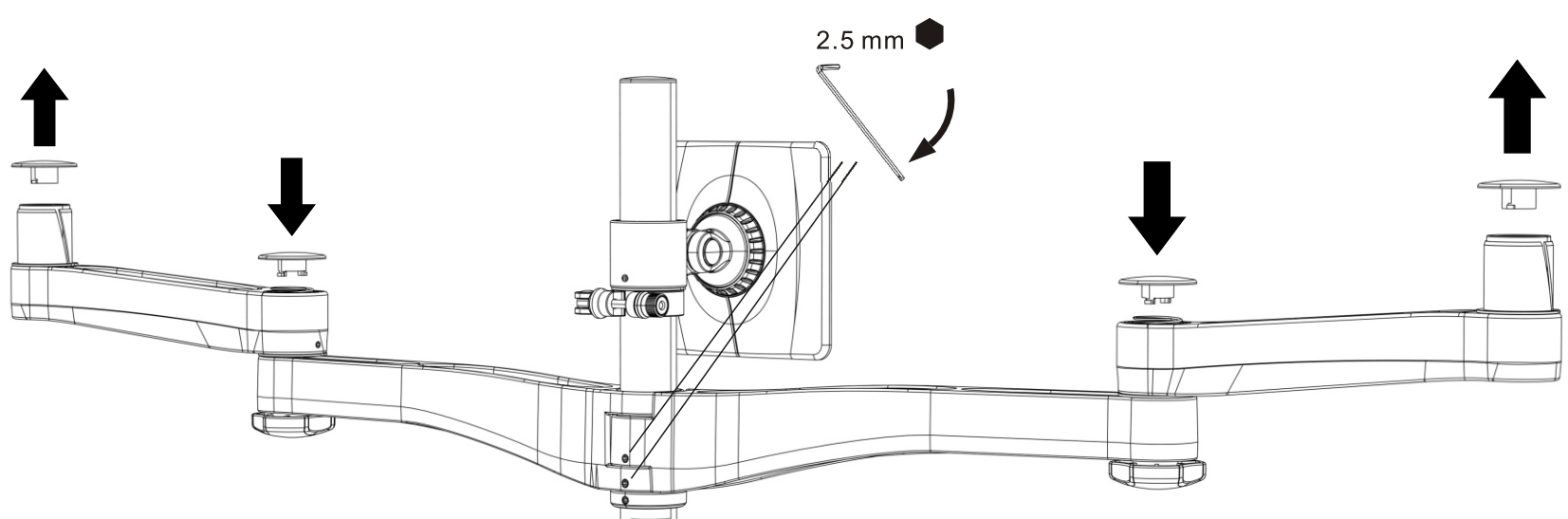
4 Attach Main Extensions To Pole

Attach the extensions to the pole. Push down the covers on the extensions and turn 90 degree in either direction. The covers will pop out. Insert the quick release onto the pole.



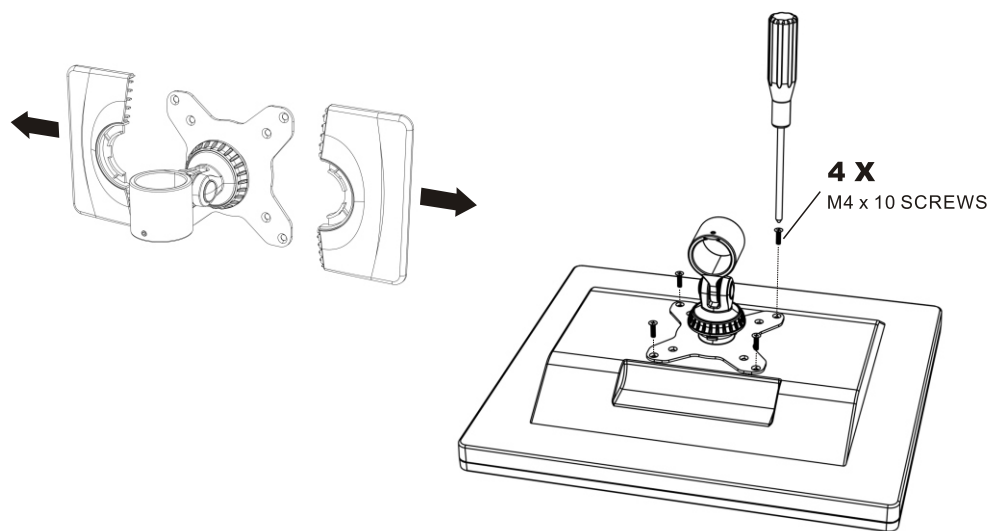
5 Attach Side Extensions To Main Extensions and Center Extension To Pole

Loosen or tighten the hex bolts on the extensions to set the desired friction with the 2.5 mm hex key wrench provided. Insert the covers into the extensions and turn 90 degree in either direction. Lock the quick release to set the desired height.



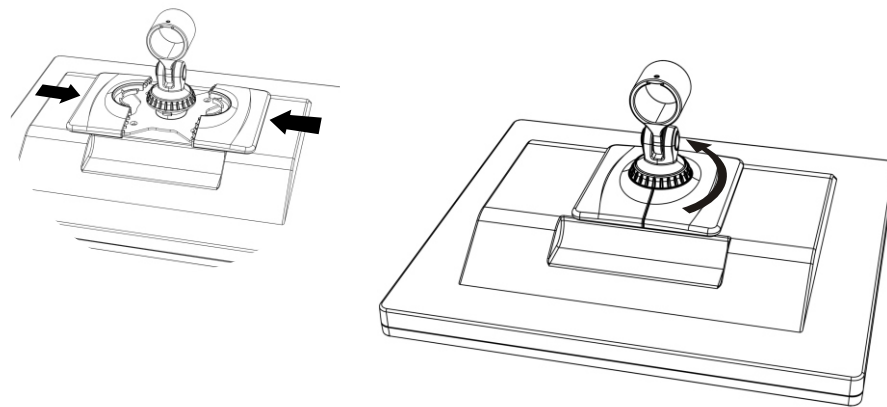
6 Attach VESA Plate To LCD Monitor

Remove the VESA plate covers. Attach the VESA plate to the back of your LCD monitor using a Phillips screw driver.



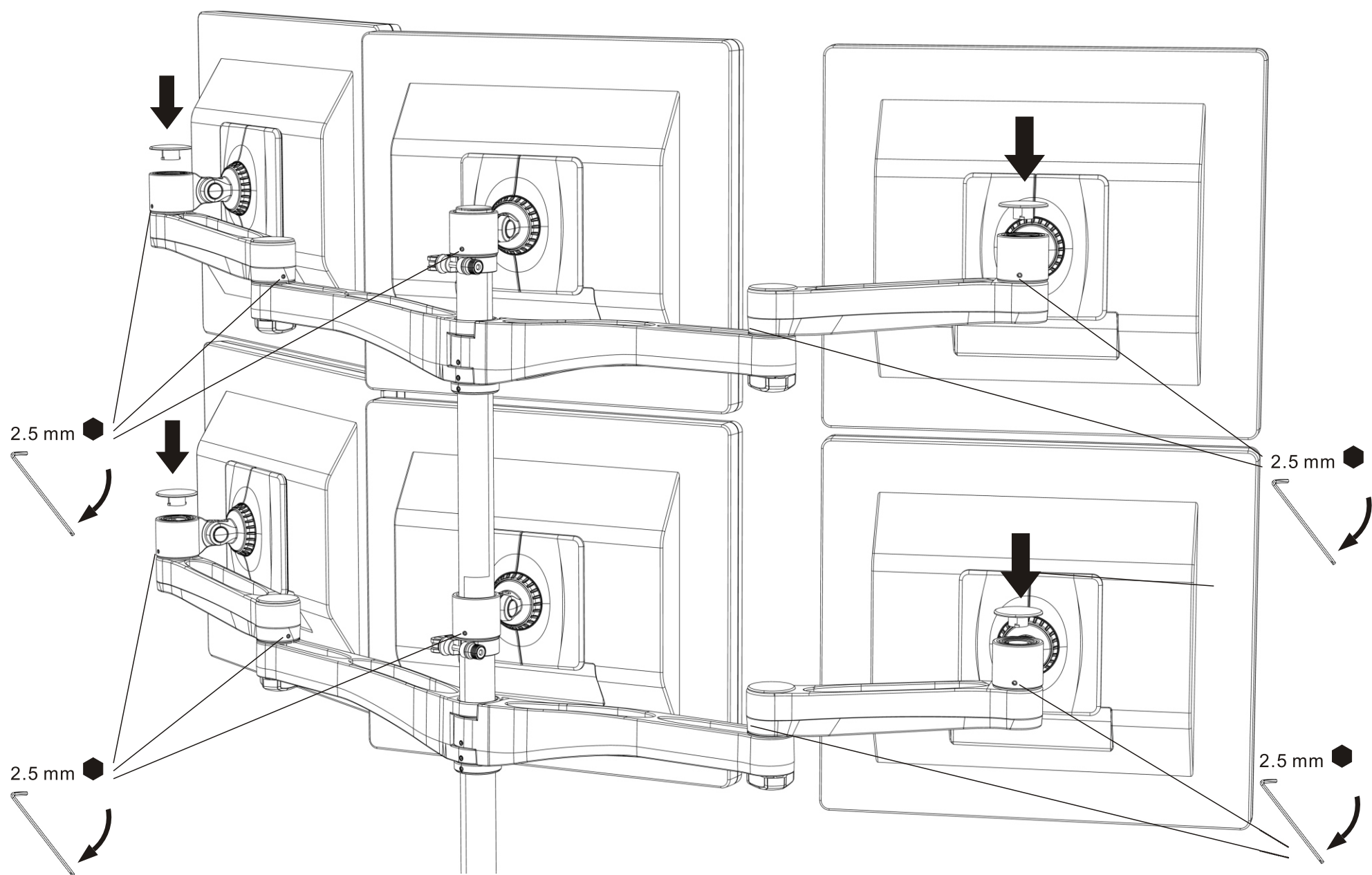
7 Insert and Lock VESA Plate Covers

Insert the VESA plate covers back. Turn the knob next to the VESA plate counter-clockwise to lock the VESA plate covers.



8 Attach VESA Plates To Extensions

Attach the arms to the extensions. Insert the covers into the extensions and turn 90 degree in either direction. Loosen or tighten the hex bolts on the extensions to set the desired friction with the 2.5 mm hex key wrench provided.



9 Range Of Motion

