

Features

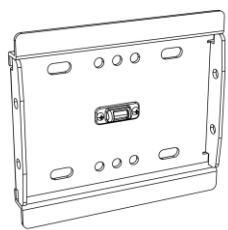
- Horizontal swing
- Fits most flat panel displays up to 37"
- Maximum Loading Capacity: 30 Kg or 66 pounds
- Tilts 15 degree forward and 5 degree backward
- Built-in level
- VESA compliant



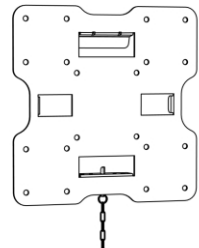
WARNING

- Please read through these installation instructions carefully before proceeding with the installation.
- Ensure that the wall is capable to support the total weight of the mounted equipments.
- Do not exceed the Maximum Loading Capacity specified above.
- If this product is mounted on a wood wall, ensure that the mounting holes are located to the center of the studs. Use of a stud finder is highly suggested.
- Always have two people lift the display for safety.

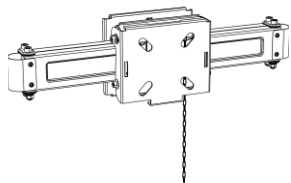
1 Package Contents



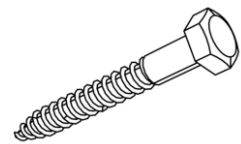
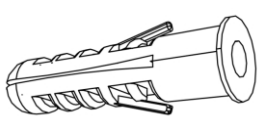
Wall Plate x 1



VESA Adaptor Plate x 1



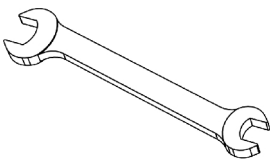
Display Bracket x 1

M8*60
Self-tapping Screw x 4φ 10*50
Plastic Anchor x 4

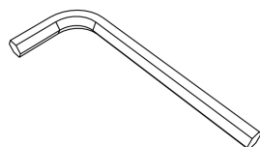
8 mm Washer x 4



M6*20 Screw x 4

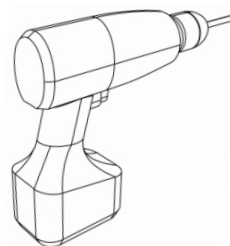


Open End Wrench x 1



Hex Key Wrench x 1

2 Tools Required



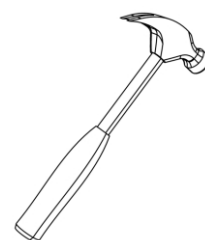
Electric Drill



5 mm Wood Drill Bit



10 mm Concrete Drill Bit



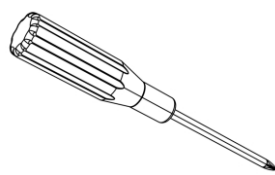
Hammer



Ratchet Wrench



13 mm Socket Head



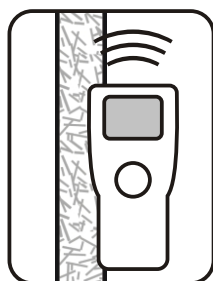
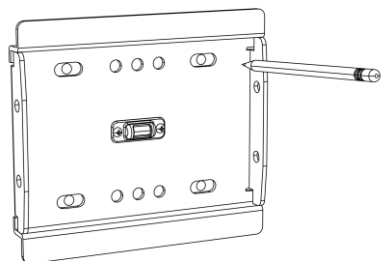
Phillips Screw Driver



Stud Finder (Suggested)

3 Mark Holes on Wall

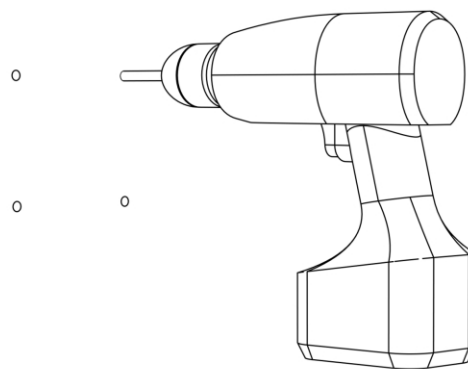
Mark an array of holes which are 100 mm apart horizontally and 90 mm apart vertically. Ensure the holes are anchored on the center of the studs, if mounting to wood wall. The use of a stud finder is highly suggested.



If mounting to wood wall, ensure the holes will be anchored on the center of the studs using a stud finder. If necessary, the holes may be located through the holes in the middle of the wall plate.

4.a for Wood Wall Drill Holes

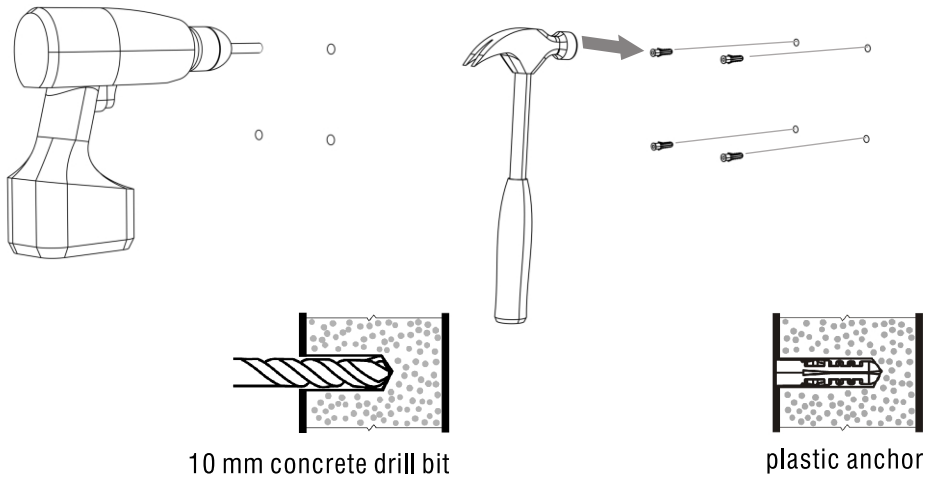
Drill the holes to a minimum depth of 20 mm or 0.8 inches using a 10 mm concrete drill bit for wood wall.



4 mm or 5/32" wood drill bit

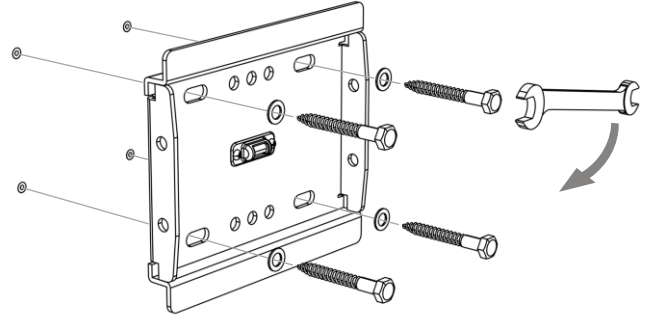
4.b for Concrete Wall **Drill Holes and Place Plastic Anchors**

Drill the holes to a minimum depth of 60 mm or 2.4 inches using a 10 mm concrete drill bit for concrete wall. Place the plastic anchors into the holes using a hammer. No plastic anchor is required for mounting on wood wall. Skip to Step 5.

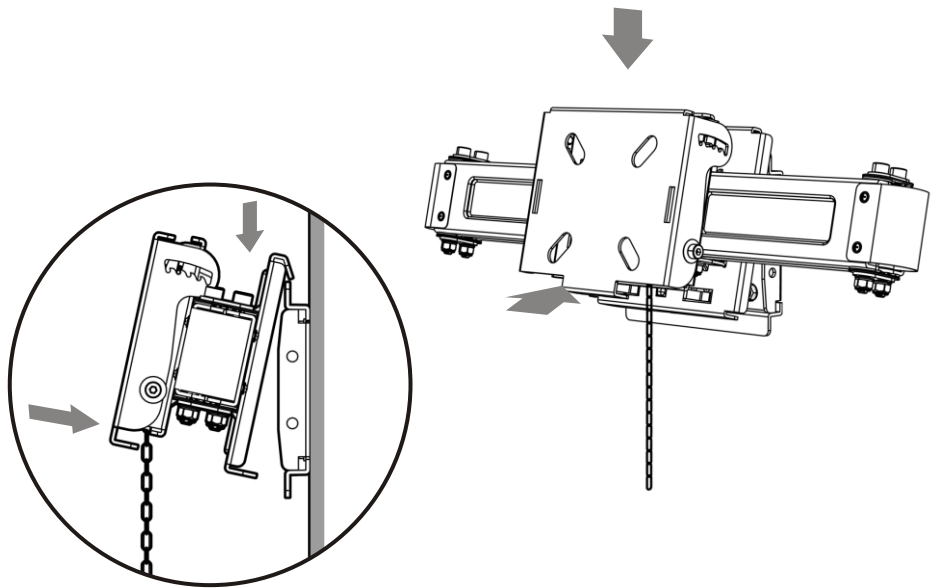


5 **Attach Wall Plate to Wall**

Turn screws through the wall plates into the wall with 8mm washers using an open end wrench. Tighten the screws firmly, but do not overtighten them.

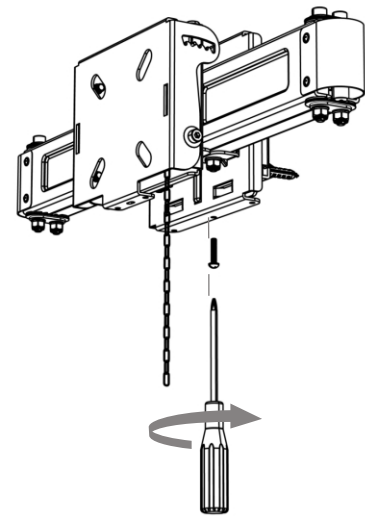


6 **Hook Display Bracket onto Wall Plate**

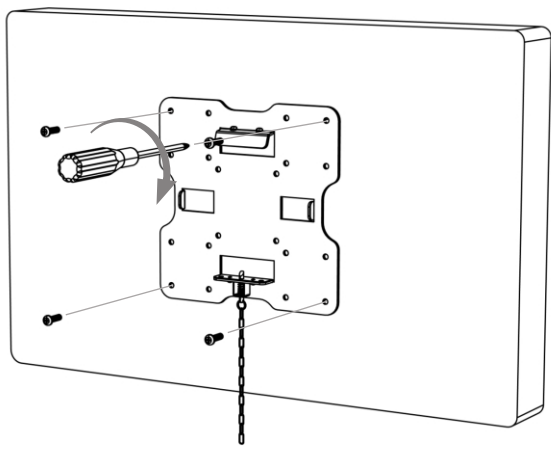


7 **Tighten Screws below**

Tighten the screws at the bottom of the display bracket.

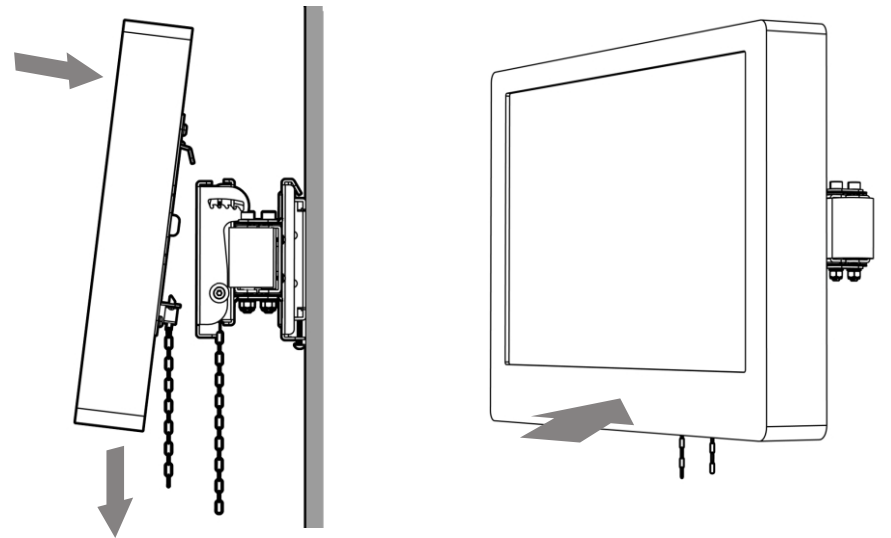


8 **Attach VESA Adaptor Plate to Display**

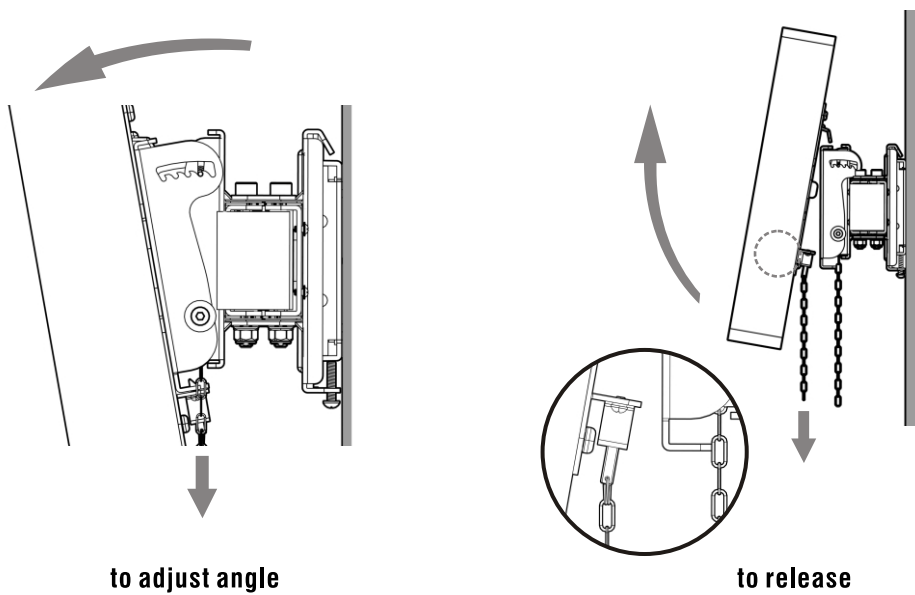


9 **Hook VESA Adaptor Plate onto Display Bracket**

Fully retract the display bracket to the shortest position first. Have two people hook the VESA adaptor plate onto the display bracket. Press the bottom of the display to engage until hearing the "click" sound.



10 **Pull Straps to Adjust Angle and Release**



11 **Secure with Locks When Necessary**

